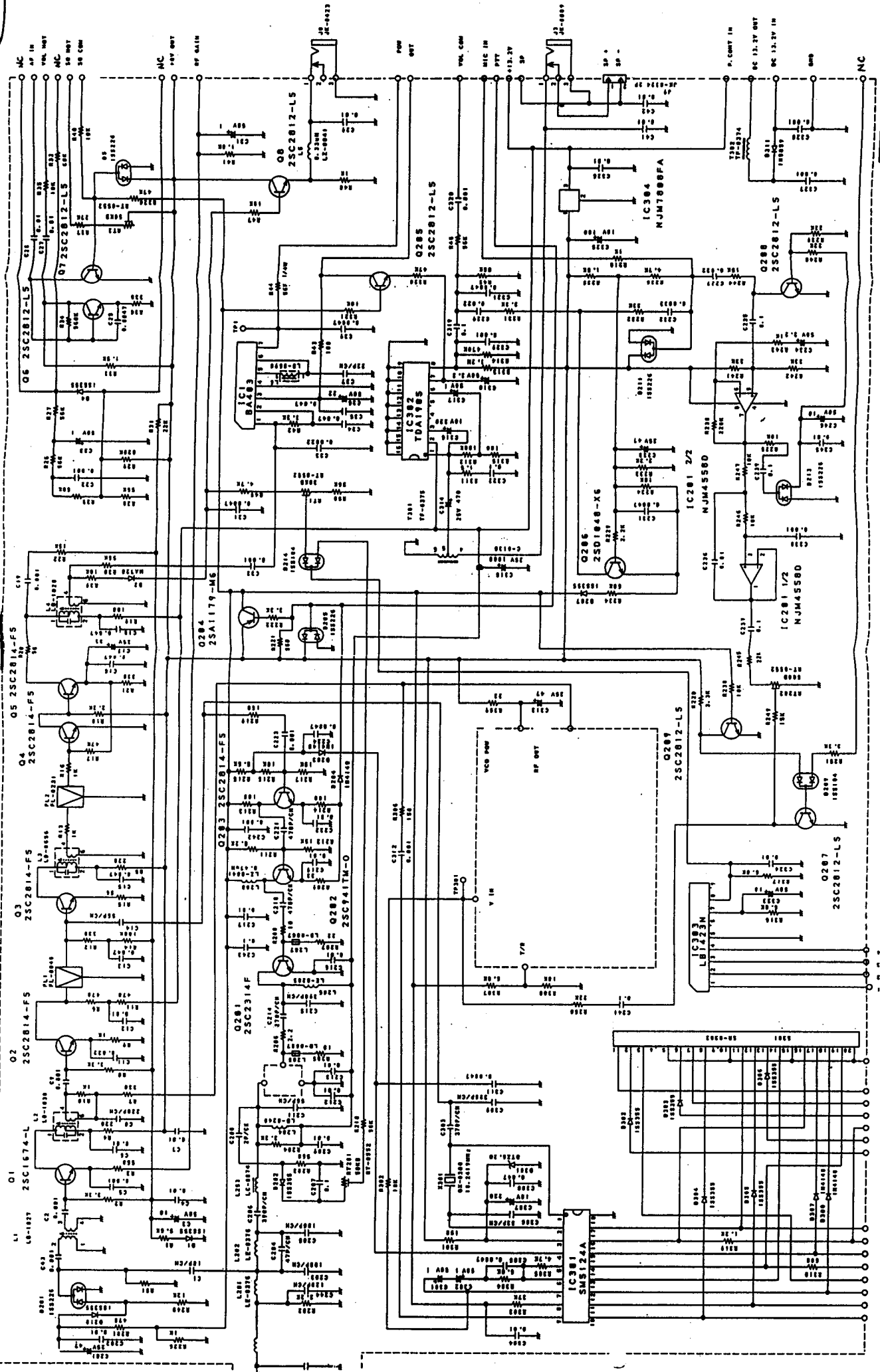


(B)

SD

(A)

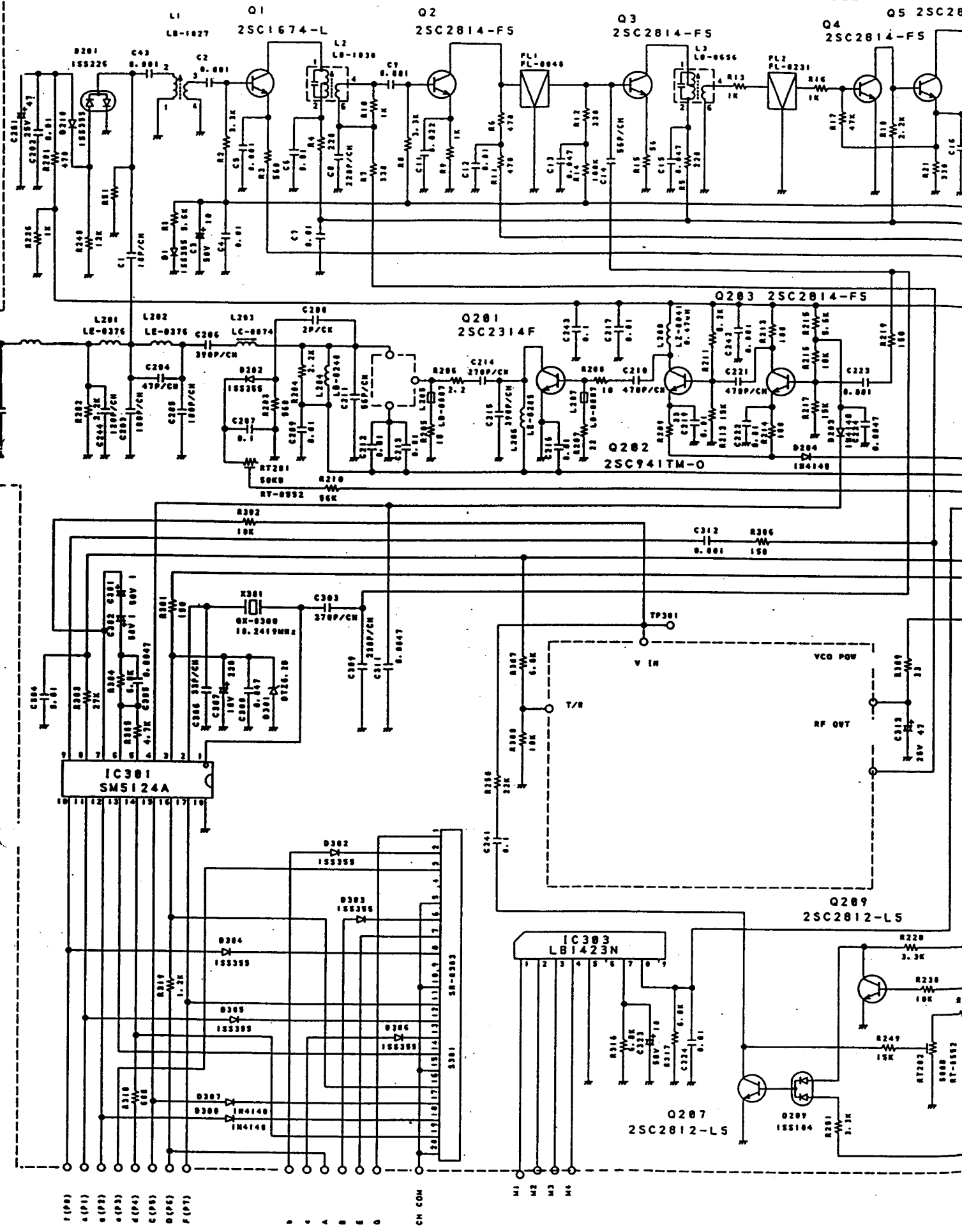


DESIGN	DATE	BY	CHKD.	APPROV.
UT-3832	11.12.71	HARRY PH		
TITLE				
SCHEMATIC DIAGRAM				
DRAWING NO.				
REV. NO.				
UNION R. CORP.				

- (C) 1
- (C) 2
- (C) 3
- (C) 4
- (C) 5
- (C) 6
- (C) 7
- (C) 8
- (C) 9
- (C) 10
- (C) 11
- (C) 12
- (C) 13
- (C) 14
- (C) 15
- (C) 16
- (C) 17
- (C) 18
- (C) 19
- (C) 20

(A)

PA-8374



F (P2)

C (P1)

G (P3)

G (P2)

C (P4)

C (P5)

D (P6)

F (P7)

A

B

C

D

E

F

G

CH CON

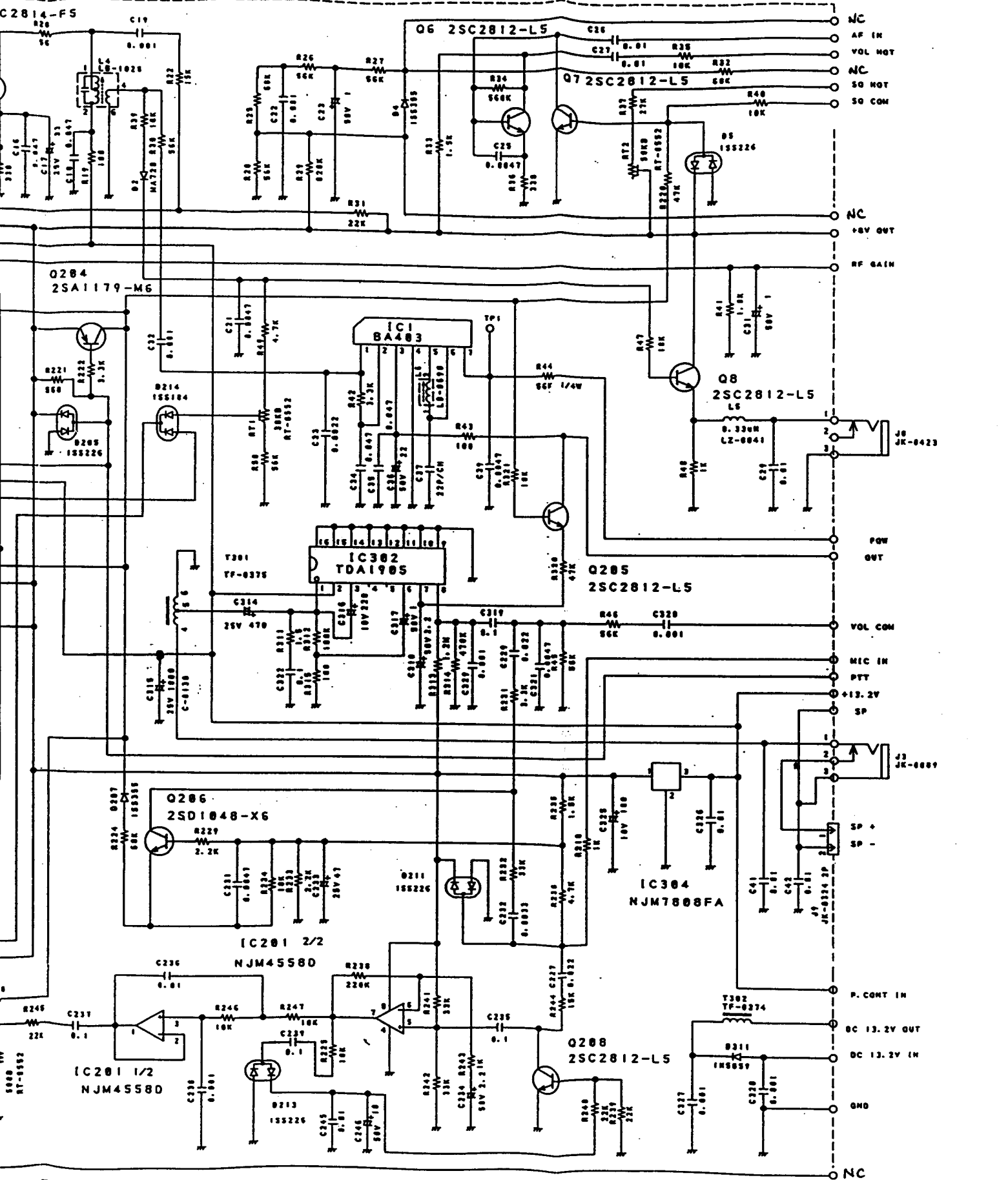
M1

M2

M3

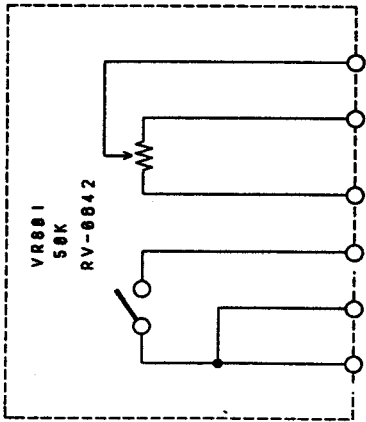
M4

(B)

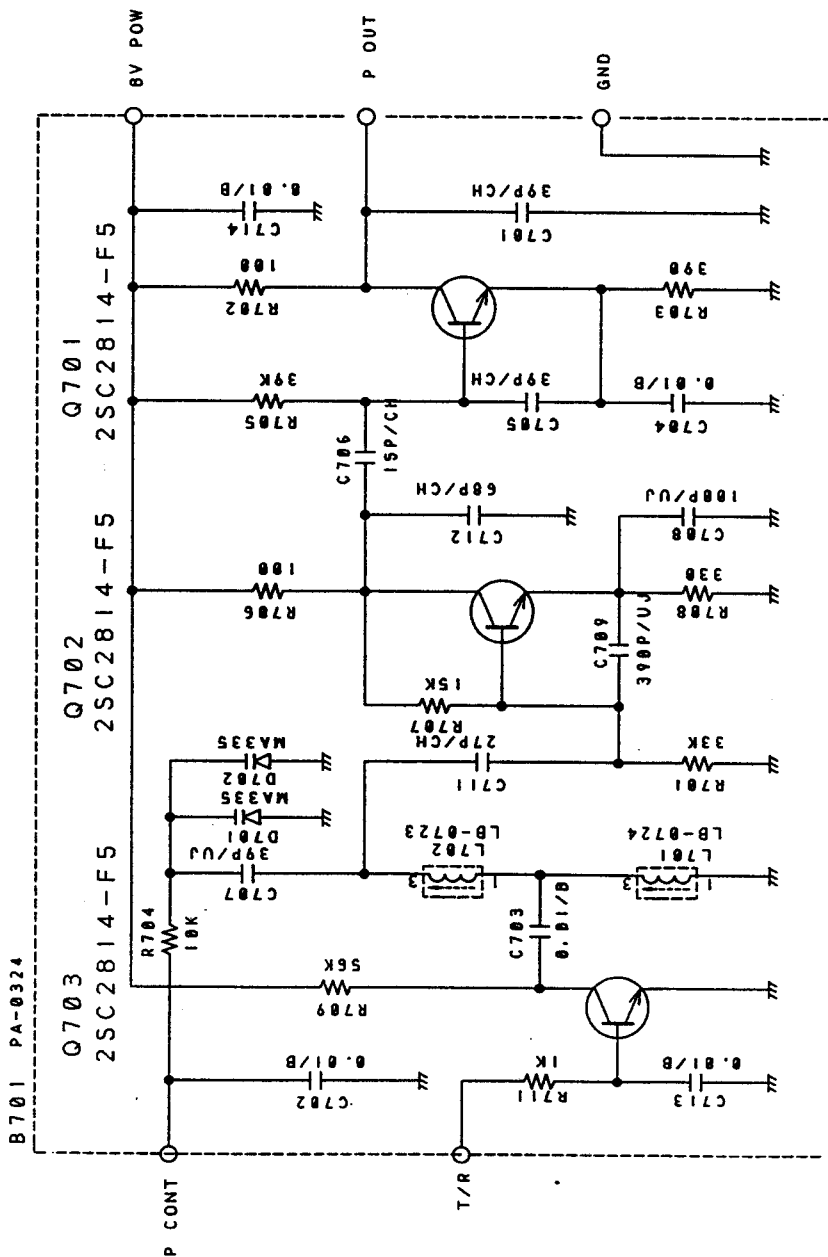


DESIGN	DRAWN BY	UNIDEN No.	MODEL No.
	'94. 12. 21	UT-355Z	HARRY FM
	YOSHI	TITLE	
		SCHMATIC DIAGRAM	
		DRAWING No.	
REV. No.		UNIDEN CORP.	

B801 PA-0374



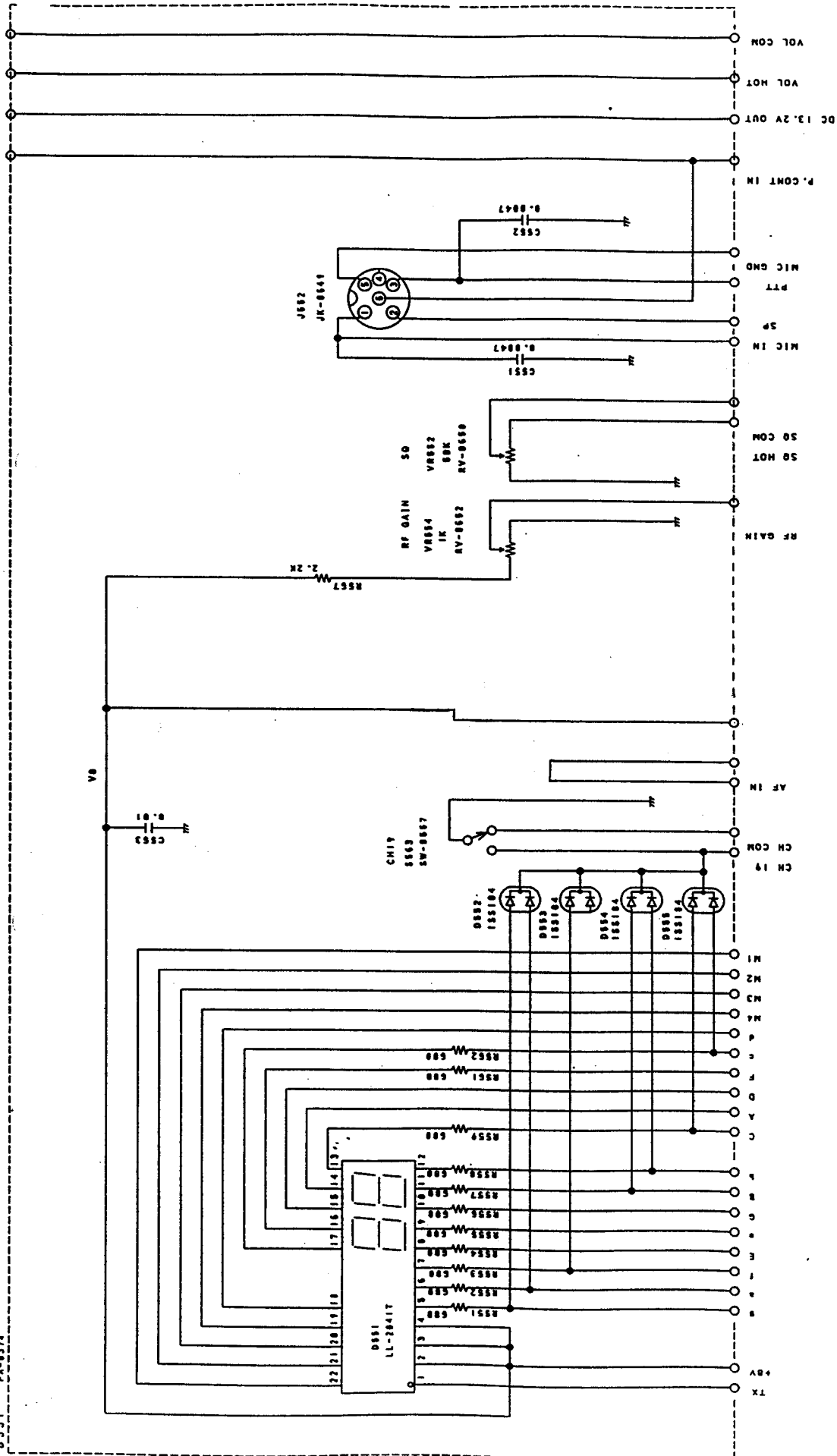
DESIGN	DRAWN BY	UNIDEN No.	MODEL No.
		UT-355Z	HARRY FM
CHECK BY	APPRO. BY	TITLE	
		SCHEMATIC DIAGRAM	
		DRAWING No.	
REV. No		UNIDEN CORP.	



NOTES:

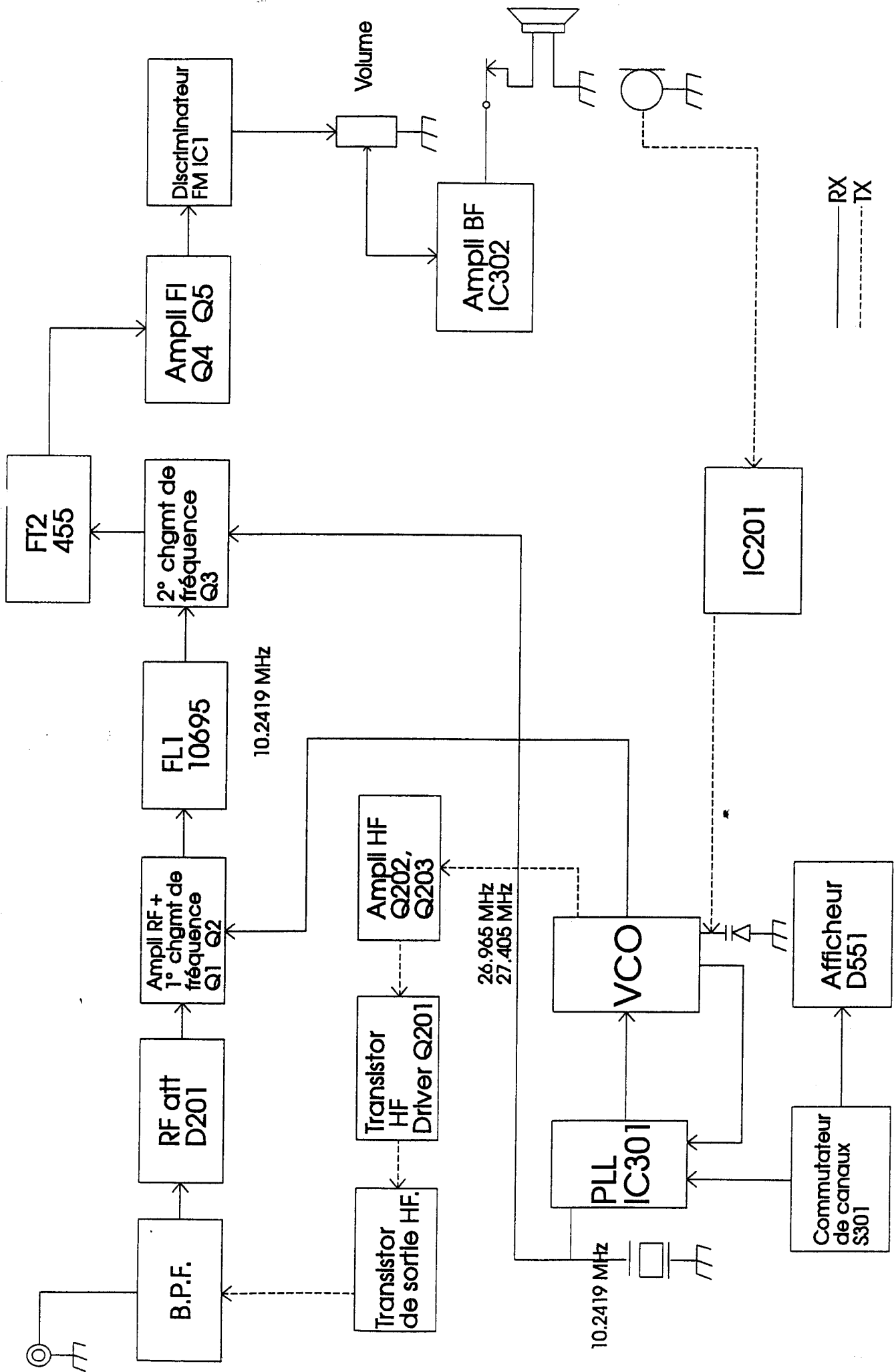
1. RESISTANCE VALUES ARE SHOWN IN OHMS UNLESS OTHERWISE NOTED. (K=KILO OHM, M=MEG OHM)
2. RESISTOR WATTAGES ARE [1/6W] UNLESS OTHERWISE NOTED.
3. CAPACITANCE VALUES ARE INDICATED IN MICRO FARADS UNLESS OTHERWISE NOTED. (P=MICRO-MICRO FARAD)
4. ALL CAPACITORS TEMPERATURE CHARACTERISTICS ARE [SL] (LESS THAN 1000PF) OR [ZF] (MORE THAN 1000PF) UNLESS OTHERWISE NOTED.
5. CHIP PARTS ARE NOT SPECIFIED IN THIS DRAWING PLEASE REFER TO THE PARTS LIST FOR THE CHIP PARTS.

DESIGN	DRAWN BY	UNIDEN No.	MODEL No.
		UT-355Z	HARRY (P)
CHECK BY	APPRO BY	TITLE	
		SCHEMATIC DIAGRAM	
		DRAWING No.	
REV. No		UNIDEN CORP.	



Harry FH

DESIGN	DRAWN BY	UNIDEN NO.	MODEL NO.
		UT-355Z	HARRY FH
CHECKED BY	APPROVED BY	TITLE	
		SCHEMATIC DIAGRAM	
REV. NO.		DRAWING NO.	
			UNIDEN CORP.



— RX
- - - TX

PRESIDENT HARRY FM

Spring FM

MAIN PARTS list TOP 1/3

F No	DESCRIPTION	SPEC	部品コード
C003	C:ELCT TS2.5C+ (D5*11)	10UF 50V M TAPE	BCAB811006Z
C017	C:ELCT TS2.5C+ (D5*11)	33UF 25V M TAPE	BCAB513306Z
C023	C:ELCT TS2.5C+ (D5*11)	1UF 50V M TAPE	BCAB811096Z
C031	C:ELCT TS2.5C+ (D5*11)	1UF 50V M TAPE	BCAB811096Z
C036	C:ELCT TS2.5C+ (D5*11)	22UF 50V M TAPE	BCAB812206Z
C201	C:ELCT TS2.5C+ (D5*11)	47UF 25V M TAPE	BCAB514706Z
C233	C:ELCT TS2.5C+ (D5*11)	47UF 25V M TAPE	BCAB514706Z
C234	C:ELCT TS2.5C+ (D5*11)	2.2UF 50V M TAPE	BCAB812296Z
C246	C:ELCT TS2.5C+ (D5*11)	4.7UF 50V M TAPE	BCAB814796Z
C301	C:ELCT TS2.5C+ (D5*11)	1UF 50V M TAPE	BCAB811096Z
C302	C:ELCT TS2.5C+ (D5*11)	1UF 50V M TAPE	BCAB811096Z
C307	C:ELCT TS2.5S+ (D5*11)	220UF 10V M TAPE	BCAV112216Z
C313	C:ELCT TS2.5C+ (D5*11)	47UF 25V M TAPE	BCAB514706Z
C314	C:ELCT TS5.0S+ (D5*11)	470UF 25V M TAPE	BCAW514716Z
15	C:ELECTROLYTIC	1000UF 25V M C-130	BCAP511026Z
C316	C:ELCT TS2.5S+ (D5*11)	220UF 10V M TAPE	BCAV112216Z
C317	C:ELCT TS2.5C+ (D5*11)	1UF 50V M TAPE	BCAB811096Z
C318	C:ELCT TS2.5C+ (D5*11)	2.2UF 50V M TAPE	BCAB812296Z
C323	C:ELCT TS2.5C+ (D5*11)	10UF 50V M TAPE	BCAB811006Z
C325	C:ELCT TS2.5C+ (D5*11)	100UF 10V M TAPE	BCAB111016Z
D203	DIODE:AX TS 26+	1N4148 T-77	BDAY0246003
D204	DIODE:AX TS 26+	1N4148 T-77	BDAY0246003
D306	DIODE	1SS355 TE-17	BDAY0807001
D307	DIODE:AX TS 26+	1N4148 T-77	BDAY0246003
D308	DIODE:AX TS 26+	1N4148 T-77	BDAY0246003
D311	DIODE	1N5059 TAPE	BDAY0725001
FL001	FILTER:CERAMIC	FL-048 SFE10.7MS2-M	BFLY0048001
FL002	FILTER:CERAMIC	FL-231 CFU450HT 450KHZ	BFLY0231001
IC001	INTEGRATED CIRCUIT	BA403	BDEY2574001
IC201	INTEGRATED CIRCUIT	NJM4558D	BDEY0145001
301	INTEGRATED CIRCUIT	BA403	
IC302	INTEGRATED CIRCUIT	TDA1905	BDEY0603001
IC303	INTEGRATED CIRCUIT	LBI423N	BDEY0430001
IC304	INTEGRATED CIRCUIT	NJM7808FA	BDEY2558001
J003	JACK	JK-089 HSJ0615	BJKY0089001
J008	JACK:MIC	JK-423 HSJ0838-01-500	BJKY0423001
J009	JACK	JK-324 53014-0210 2P	BJKY0324002
L001	COIL	LB-1027 M7D3/00333	BLBY1027001
L002	COIL	LB-1030 K7T1/33333	BLBY1030001
L003	COIL	LB-656 21K7-T(R12H473A)	BLBY0656001
L004	COIL	LB-1028 K7H5/33333	BLBY1028001
L005	INDUCTOR:MOLDED	LZ-041 0.33UH K	BLZY0041338
L006	COIL	LB-698	BLBY0698001
L201	COIL	LE-376 L-3E6-S(R22-E528)	BLEY0376001
L202	COIL	LE-376 L-3E6-S(R22-E528)	BLEY0376001
L203	COIL	LC-074	BLCY0074001
L204	COIL	LD-240 L-2R4W(R22-E568)	BLDY0240001
L205	COIL	LD-087 BF04-3X5X1	BLDY0087001
206	COIL	LE-285 D4 7 1/2T	BLEY0285001

L207	COIL	LD-087 BF04-3X5X1	BLDY0087001
L208	INDUCTOR:MOLDED	LZ-041 0.47UH K	BLZY0041478
Q001	TRANSISTOR:RH TS+	DB-6009 2SC1674-L TAPING	BDBX1674111
Q201	TRANSISTOR	DB-792 2SC2314F	BDBC2314106
Q202	TRANSISTOR:RH TS+	DB-301 2SC941TM-0 TAPING	BDBX0941523
R044	R:CARBON AXIAL LEAD (52)	47K 1/4W J TAPE	BRFT144734Z
R053	R:METAL OXIDE NONFLAMMABLE	1 1W J	
R302	R:CARBON AXIAL LEAD (52)	18K 1/4W J	BRFT141834Z
RT001	R:SEMI-FIXED TAPE	RT-552 30KB	BRTY0552303
RT002	R:SEMI-FIXED TAPE	RT-552 50KB	BRTY0552503
RT201	R:SEMI-FIXED TAPE	RT-552 50KB	BRTY0552503
RT202	R:SEMI-FIXED TAPE	RT-552 500B	BRTY0552501
S301	SWITCH:ROTARY	SR-303 USW-0377	BSRY0303001
T301	TRANSFORMER:OUTPUT	TF-375 AT-25.5E-B	BTFY0375001
T302	TRANSFORMER	TF-374 CT-19E-B(R29-1097)	BTFY0374001
X301	CRYSTAL	QX-308 10.2419M	BQXY0308001
B001	PCB MAIN	PA-0374AA 1/3	BPAY0374AAZ
JV001			15
J002			10
JV003			12.5
JV004			17.5
JV005			15
JV006			15
JV007			7.5
JV008			10
JV009			10
JV010			7.5
JV011			10
JV012			12.5
JV013			10
JV014			10
JV015			20
JV016			7.5
JV017			7.5
JV018			12.5
JV019			20
J020			5
JV021			10
JV022			12.5
JV023			7.5
JV024			12.5
JV025			17.5
JV026			27.5
JV027			12.5
JV028			5
JV029			15
JV030			17.5
JV031			7.5
JV032			7.5
JV033			12.5
JV034			7.5
JV035			20
JV036			12.5
JV037			10
JV038			7.5

MAIN TOP

3/3

JV039	7.5
JV040	12.5
JV041	7.5
JV042	17.5
JV043	20
JV044	5
JV045	20
JV046	17.5
JV047	20
JV048	10
JV049	7.5
JV050	7.5
JV051	7.5
JV052	17.5
JV053	7.5
JV054	25
JV055	7.5
JV056	12.5
JV057	7.5
JV058	10
JV059	7.5
JV060	7.5
JV061	10
JV062	7.5
JV063	10
JV064	12.5
JV065	15
JV066	7.5
JV067	7.5
JV068	5
JV069	5

MAIN PARTS List BOTTOM

1/5

REF No	DESCRIPTION	SPEC	部品コード
C001	C:CERAMIC M/L (2125) TAPE	18PF 50V J CH	BCBH811804Z
C002	C:CERAMIC M/L (2125) TAPE	0.001UF 50V K B	BCXT811025Z
C004	C:CERAMIC M/L (2125) TAPE	0.01UF 50V K B	BCXT811035Z
C005	C:CERAMIC M/L (2125) TAPE	0.001UF 50V K B	BCXT811025Z
C006	C:CERAMIC M/L (2125) TAPE	0.01UF 50V K B	BCXT811035Z
C007	C:CERAMIC M/L (2125) TAPE	0.01UF 50V K B	BCXT811035Z
C008	C:CERAMIC M/L (2125) TAPE	220PF 50V J CH	BCBH812214Z
C009	C:CERAMIC M/L (2125) TAPE	0.001UF 50V K B	BCXT811025Z
C011	C:CERAMIC M/L (2125) TAPE	0.022UF 50V K B	BCXT812235Z
C012	C:CERAMIC M/L (2125) TAPE	0.01UF 50V K B	BCXT811035Z
C013	C:CERAMIC M/L (2125) TAPE	0.047UF 50V K B	BCXT814735Z
C014	C:CERAMIC M/L (2125) TAPE	56PF 50V J CH	BCBH815604Z
C015	C:CERAMIC M/L (2125) TAPE	0.047UF 50V K B	BCXT814735Z
C016	C:CERAMIC M/L (2125) TAPE	0.047UF 50V K B	BCXT814735Z
C018	C:CERAMIC M/L (2125) TAPE	0.047UF 50V K B	BCXT814735Z
C019	C:CERAMIC M/L (2125) TAPE	0.001UF 50V K B	BCXT811025Z
C021	C:CERAMIC M/L (2125) TAPE	0.0047UF 50V K B	BCXT814725Z
C022	C:CERAMIC M/L (2125) TAPE	0.001UF 50V K B	BCXT811025Z
C025	C:CERAMIC M/L (2125) TAPE	0.0047UF 50V K B	BCXT814725Z
C026	C:CERAMIC M/L (2125) TAPE	0.01UF 50V K B	BCXT811035Z
C027	C:CERAMIC M/L (2125) TAPE	0.01UF 50V K B	BCXT811035Z
C029	C:CERAMIC M/L (2125) TAPE	0.01UF 50V K B	BCXT811035Z
C032	C:CERAMIC M/L (2125) TAPE	0.001UF 50V K B	BCXT811025Z
C034	C:CERAMIC M/L (2125) TAPE	0.047UF 50V K B	BCXT814735Z
C035	C:CERAMIC M/L (2125) TAPE	0.047UF 50V K B	BCXT814735Z
C037	C:CERAMIC M/L (2125) TAPE	22PF 50V J CH	BCBH812204Z
C039	C:CERAMIC M/L (2125) TAPE	0.0047UF 50V K B	BCXT814725Z
C041	C:CERAMIC M/L (2125) TAPE	0.01UF 50V K B	BCXT811035Z
C042	C:CERAMIC M/L (2125) TAPE	0.01UF 50V K B	BCXT811035Z
C043	C:CERAMIC M/L (2125) TAPE	0.001UF 50V K B	BCXT811025Z
C202	C:CERAMIC M/L (2125) TAPE	0.01UF 50V K B	BCXT811035Z
C203	C:CERAMIC M/L (2125) TAPE	180PF 50V J CH	BCBH811814Z
C204	C:CERAMIC M/L (2125) TAPE	47PF 50V J CH	BCBH814704Z
C205	C:CERAMIC M/L (2125) TAPE	0.0047UF 50V K B	BCXT814725Z
C206	C:CERAMIC M/L (2125) TAPE	390PF 50V J CH	BCBH813914Z
C207	C:CERAMIC M/L (2125) TAPE	0.1UF 25V K B	BCXT511045Z
C208	C:CERAMIC M/L (2125) TAPE	2PF 50V C CK	BCBK812091Z
C209	C:CERAMIC M/L (2125) TAPE	0.01UF 50V K B	BCXT811035Z
C211	C:CERAMIC M/L (2125) TAPE	27PF 50V J CH	BCBH812704Z
C212	C:CERAMIC M/L (2125) TAPE	0.01UF 50V K B	BCXT811035Z
C213	C:CERAMIC M/L (2125) TAPE	0.01UF 50V K B	BCXT811035Z
C214	C:CERAMIC M/L (2125) TAPE	220PF 50V J CH	BCBH812214Z
C216	C:CERAMIC M/L (2125) TAPE	0.01UF 50V K B	BCXT811035Z
C217	C:CERAMIC M/L (2125) TAPE	0.01UF 50V K B	BCXT811035Z
C218	C:CERAMIC M/L (2125) TAPE	470PF 50V J CH	BCBH814714Z
C219	C:CERAMIC M/L (2125) TAPE	0.01UF 50V K B	BCXT811035Z
C221	C:CERAMIC M/L (2125) TAPE	470PF 50V J CH	BCBH814714Z
C222	C:CERAMIC M/L (2125) TAPE	0.01UF 50V K B	BCXT811035Z
C223	C:CERAMIC M/L (2125) TAPE	0.001UF 50V K B	BCXT811025Z
C224	C:CERAMIC M/L (2125) TAPE	0.0047UF 50V K B	BCXT814725Z
C227	C:CERAMIC M/L (2125) TAPE	0.022UF 50V K B	BCXT812235Z
C21	C:CERAMIC M/L (2125) TAPE	0.001UF 50V K B	BCXT811025Z

C229	C:CERAMIC M/L (2125) TAPE	0.022UF 50V K B	BCXT812235Z
C231	C:CERAMIC M/L (2125) TAPE	0.0047UF 50V K B	BCXT814725Z
C232	C:CERAMIC M/L (2125) TAPE	0.0022UF 50V K B	BCXT812225Z
C235	C:CERAMIC M/L (2125) TAPE	0.1UF 25V K B	BCXT511045Z
C236	C:CERAMIC M/L (2125) TAPE	0.01UF 50V K B	BCXT811035Z
C237	C:CERAMIC M/L (2125) TAPE	0.1UF 25V K B	BCXT511045Z
C238	C:CERAMIC M/L (2125) TAPE	0.001UF 50V K B	BCXT811025Z
C239	C:CERAMIC M/L (2125) TAPE	0.1UF 25V K B	BCXT511045Z
C241	C:CERAMIC M/L (2125) TAPE	0.1UF 25V K B	BCXT511045Z
C242	C:CERAMIC M/L (2125) TAPE	0.001UF 50V K B	BCXT811025Z
C243	C:CERAMIC M/L (2125) TAPE	0.1UF 25V K B	BCXT511045Z
C244	C:CERAMIC M/L (2125) TAPE	120PF 50V J CH	BCBH811214Z
C245	C:CERAMIC M/L (2125) TAPE	0.01UF 50V K B	BCXT811035Z
C303	C:CERAMIC M/L (2125) TAPE	270PF 50V J CH	BCBH812714Z
C304	C:CERAMIC M/L (2125) TAPE	0.01UF 50V K B	BCXT811035Z
C305	C:CERAMIC M/L (2125) TAPE	0.0047UF 50V K B	BCXT814725Z
C306	C:CERAMIC M/L (2125) TAPE	33PF 50V J CH	BCBH813304Z
C308	C:CERAMIC M/L (2125) TAPE	0.047UF 50V K B	BCXT814735Z
C309	C:CERAMIC M/L (2125) TAPE	220PF 50V J CH	BCBH812214Z
C311	C:CERAMIC M/L (2125) TAPE	0.0047UF 50V K B	BCXT814725Z
C312	C:CERAMIC M/L (2125) TAPE	0.001UF 50V K B	BCXT811025Z
C319	C:CERAMIC M/L (2125) TAPE	0.1UF 25V K B	BCXT511045Z
C320	C:CERAMIC M/L (2125) TAPE	0.001UF 50V K B	BCXT811025Z
C322	C:CERAMIC M/L (2125) TAPE	0.1UF 25V K B	BCXT511045Z
C324	C:CERAMIC M/L (2125) TAPE	0.01UF 50V K B	BCXT811035Z
C326	C:CERAMIC M/L (2125) TAPE	0.01UF 50V K B	BCXT811035Z
C327	C:CERAMIC M/L (2125) TAPE	0.001UF 50V K B	BCXT811025Z
C328	C:CERAMIC M/L (2125) TAPE	0.001UF 50V K B	BCXT811025Z
C329	C:CERAMIC M/L (2125) TAPE	0.001UF 50V K B	BCXT811025Z
D001	DIODE	1SS355 TE-17	BDAY0807001
D002	DIODE	MA728-TX	BDAY0769001
D004	DIODE	1SS355 TE-17	BDAY0807001
D005	DIODE	1SS226 TE85L	BDAY0274001
D201	DIODE	1SS226 TE85L	BDAY0274001
D202	DIODE	1SS355 TE-17	BDAY0807001
D205	DIODE	1SS226 TE85L	BDAY0274001
D207	DIODE	1SS355 TE-17	BDAY0807001
D209	DIODE	1SS184 TE85L	BDAY0256001
D210	DIODE	1SS355 TE-17	BDAY0807001
D211	DIODE	1SS226 TE85L	BDAY0274001
D213	DIODE	1SS226 TE85L	BDAY0274001
D214	DIODE	1SS184 TE85L	BDAY0256001
D301	DIODE: ZENER	DTZ6.2B TT11	BDAY0812006
D302	DIODE	1SS355 TE-17	BDAY0807001
D303	DIODE	1SS355 TE-17	BDAY0807001
D304	DIODE	1SS355 TE-17	BDAY0807001
D305	DIODE	1SS355 TE-17	BDAY0807001
D306	DIODE	1SS355 TE-17	BDAY0807001
Q002	TRANSISTOR	DB-744 2SC2814-F5 TB	BDBC2814641
Q003	TRANSISTOR	DB-744 2SC2814-F5 TB	BDBC2814641
Q004	TRANSISTOR	DB-744 2SC2814-F5 TB	BDBC2814641
Q005	TRANSISTOR	DB-744 2SC2814-F5 TB	BDBC2814641
Q006	TRANSISTOR	DB-743 2SC2812-L5 TB	BDBC2812642
7	TRANSISTOR	DB-743 2SC2812-L5 TB	BDBC2812642

Q008	TRANSISTOR	DB-743 2SC2812-L5 TB	BDBC2812642
Q203	TRANSISTOR	DB-744 2SC2814-F5 TB	BDBC2814641
Q204	TRANSISTOR	DB-048 2SA1179-M6 TB	BDBA1179643
Q205	TRANSISTOR	DB-743 2SC2812-L5 TB	BDBC2812642
Q206	TRANSISTOR	DB-743 2SC2812-L5 TB	BDBC2812642
Q207	TRANSISTOR	DB-743 2SC2812-L5 TB	BDBC2812642
Q208	TRANSISTOR	DB-435 2SD1048-X6 TB	BDBD1048661
Q209	TRANSISTOR	DB-743 2SC2812-L5 TB	BDBC2812642
R001	R:CARBON FIXED CHIP	5.6K 1/10W J TAPE	BRFC015624Z
R002	R:CARBON FIXED CHIP	3.3K 1/10W J TAPE	BRFC013324Z
R003	R:CARBON FIXED CHIP	560 1/10W J TAPE	BRFC015614Z
R004	R:CARBON FIXED CHIP	220 1/10W J TAPE	BRFC012214Z
R005	R:CARBON FIXED CHIP	220 1/10W J TAPE	BRFC012214Z
R006	R:CARBON FIXED CHIP	470 1/10W J TAPE	BRFC014714Z
R007	R:CARBON FIXED CHIP	330 1/10W J TAPE	BRFC013314Z
R008	R:CARBON FIXED CHIP	3.3K 1/10W J TAPE	BRFC013324Z
R009	R:CARBON FIXED CHIP	1K 1/10W J TAPE	BRFC011024Z
R010	R:CARBON FIXED CHIP	1K 1/10W J TAPE	BRFC011024Z
R011	R:CARBON FIXED CHIP	470 1/10W J TAPE	BRFC014714Z
R012	R:CARBON FIXED CHIP	330 1/10W J TAPE	BRFC013314Z
R013	R:CARBON FIXED CHIP	1.8K 1/10W J TAPE	BRFC011824Z
R014	R:CARBON FIXED CHIP	180K 1/10W J TAPE	BRFC011844Z
R015	R:CARBON FIXED CHIP	56 1/10W J TAPE	BRFC015604Z
R016	R:CARBON FIXED CHIP	10K 1/10W J TAPE	BRFC011034Z
R017	R:CARBON FIXED CHIP	15K 1/10W J TAPE	BRFC011534Z
R018	R:CARBON FIXED CHIP	560 1/10W J TAPE	BRFC015614Z
R019	R:CARBON FIXED CHIP	100 1/10W J TAPE	BRFC011014Z
R020	R:CARBON FIXED CHIP	56 1/10W J TAPE	BRFC015604Z
R021	R:CARBON FIXED CHIP	330 1/10W J TAPE	BRFC013314Z
R022	R:CARBON FIXED CHIP	15K 1/10W J TAPE	BRFC011534Z
R025	R:CARBON FIXED CHIP	68K 1/10W J TAPE	BRFC016834Z
R026	R:CARBON FIXED CHIP	56K 1/10W J TAPE	BRFC015634Z
R027	R:CARBON FIXED CHIP	56K 1/10W J TAPE	BRFC015634Z
R028	R:CARBON FIXED CHIP	56K 1/10W J TAPE	BRFC015634Z
R029	R:CARBON FIXED CHIP	820K 1/10W J TAPE	BRFC018244Z
R030	R:CARBON FIXED CHIP	1K 1/10W J TAPE	BRFC011024Z
R031	R:CARBON FIXED CHIP	22K 1/10W J TAPE	BRFC012234Z
R032	R:CARBON FIXED CHIP	68K 1/10W J TAPE	BRFC016834Z
R033	R:CARBON FIXED CHIP	3.9K 1/10W J TAPE	BRFC013924Z
R034	R:CARBON FIXED CHIP	560K 1/10W J TAPE	BRFC015644Z
R035	R:CARBON FIXED CHIP	5.6K 1/10W J TAPE	BRFC015624Z
R036	R:CARBON FIXED CHIP	330 1/10W J TAPE	BRFC013314Z
R037	R:CARBON FIXED CHIP	47K 1/10W J TAPE	BRFC014734Z
R039	R:CARBON FIXED CHIP	10K 1/10W J TAPE	BRFC011034Z
R040	R:CARBON FIXED CHIP	10K 1/10W J TAPE	BRFC011034Z
R041	R:CARBON FIXED CHIP	1.8K 1/10W J TAPE	BRFC011824Z
R042	R:CARBON FIXED CHIP	470 1/10W J TAPE	BRFC014714Z
R043	R:CARBON FIXED CHIP	100 1/10W J TAPE	BRFC011014Z
R046	R:CARBON FIXED CHIP	56K 1/10W J TAPE	BRFC015634Z
R047	R:CARBON FIXED CHIP	10K 1/10W J TAPE	BRFC011034Z
F 3	R:CARBON FIXED CHIP	1K 1/10W J TAPE	BRFC011024Z

R049	R:CARBON FIXED CHIP	100 1/10W J TAPE	BRFC011014Z
R050	R:CARBON FIXED CHIP	22K 1/10W J TAPE	BRFC012234Z
R051	R:CARBON FIXED CHIP	33K 1/10W J TAPE	BRFC013334Z
R052	R:CARBON FIXED CHIP	1.5K 1/10W J TAPE	BRFC011524Z
R054	R:CARBON FIXED CHIP	220 1/10W J TAPE	BRFC012214Z
R201	R:CARBON FIXED CHIP	470 1/10W J TAPE	BRFC014714Z
R202	R:CARBON FIXED CHIP	2.2K 1/10W J TAPE	BRFC012224Z
R203	R:CARBON FIXED CHIP	560 1/10W J TAPE	BRFC015614Z
R204	R:CARBON FIXED CHIP	2.2K 1/10W J TAPE	BRFC012224Z
R205	R:CARBON FIXED CHIP	18 1/10W J TAPE	BRFC011804Z
R206	R:CARBON FIXED CHIP	2.2 1/10W J TAPE	BRFC012294Z
R207	R:CARBON FIXED CHIP	33 1/10W J TAPE	BRFC013304Z
R208	R:CARBON FIXED CHIP	22 1/10W J TAPE	BRFC012204Z
R209	R:CARBON FIXED CHIP	33 1/10W J TAPE	BRFC013304Z
R210	R:CARBON FIXED CHIP	56K 1/10W J TAPE	BRFC015634Z
R211	R:CARBON FIXED CHIP	3.3K 1/10W J TAPE	BRFC013324Z
R212	R:CARBON FIXED CHIP	2.2K 1/10W J TAPE	BRFC012224Z
R213	R:CARBON FIXED CHIP	180 1/10W J TAPE	BRFC011814Z
214	R:CARBON FIXED CHIP	180 1/10W J TAPE	BRFC011814Z
R215	R:CARBON FIXED CHIP	5.6K 1/10W J TAPE	BRFC015624Z
R216	R:CARBON FIXED CHIP	10K 1/10W J TAPE	BRFC011034Z
R217	R:CARBON FIXED CHIP	15K 1/10W J TAPE	BRFC011534Z
R218	R:CARBON FIXED CHIP	1K 1/10W J TAPE	BRFC011024Z
R219	R:CARBON FIXED CHIP	150 1/10W J TAPE	BRFC011514Z
R220	R:CARBON FIXED CHIP	3.3K 1/10W J TAPE	BRFC013324Z
R221	R:CARBON FIXED CHIP	560 1/10W J TAPE	BRFC015614Z
R222	R:CARBON FIXED CHIP	3.3K 1/10W J TAPE	BRFC013324Z
R224	R:CARBON FIXED CHIP	68K 1/10W J TAPE	BRFC016834Z
R225	R:CARBON FIXED CHIP	10K 1/10W J TAPE	BRFC011034Z
R226	R:CARBON FIXED CHIP	1K 1/10W J TAPE	BRFC011024Z
R228	R:CARBON FIXED CHIP	47K 1/10W J TAPE	BRFC014734Z
R229	R:CARBON FIXED CHIP	1.5K 1/10W J TAPE	BRFC011524Z
R230	R:CARBON FIXED CHIP	10K 1/10W J TAPE	BRFC011034Z
R231	R:CARBON FIXED CHIP	3.3K 1/10W J TAPE	BRFC013324Z
R232	R:CARBON FIXED CHIP	10K 1/10W J TAPE	BRFC011034Z
233	R:CARBON FIXED CHIP	2.2K 1/10W J TAPE	BRFC012224Z
R234	R:CARBON FIXED CHIP	33K 1/10W J TAPE	BRFC013334Z
R235	R:CARBON FIXED CHIP	2.7K 1/10W J TAPE	BRFC012724Z
R236	R:CARBON FIXED CHIP	4.7K 1/10W J TAPE	BRFC014724Z
R238	R:CARBON FIXED CHIP	220K 1/10W J TAPE	BRFC012244Z
R239	R:CARBON FIXED CHIP	22K 1/10W J TAPE	BRFC012234Z
R240	R:CARBON FIXED CHIP	12K 1/10W J TAPE	BRFC011234Z
R241	R:CARBON FIXED CHIP	33K 1/10W J TAPE	BRFC013334Z
R242	R:CARBON FIXED CHIP	33K 1/10W J TAPE	BRFC013334Z
R243	R:CARBON FIXED CHIP	1K 1/10W J TAPE	BRFC011024Z
R244	R:CARBON FIXED CHIP	15K 1/10W J TAPE	BRFC011534Z
R245	R:CARBON FIXED CHIP	22K 1/10W J TAPE	BRFC012234Z
R246	R:CARBON FIXED CHIP	10K 1/10W J TAPE	BRFC011034Z
R247	R:CARBON FIXED CHIP	10K 1/10W J TAPE	BRFC011034Z
R248	R:CARBON FIXED CHIP	22K 1/10W J TAPE	BRFC012234Z
R249	R:CARBON FIXED CHIP	15K 1/10W J TAPE	BRFC011534Z
R250	R:CARBON FIXED CHIP	22K 1/10W J TAPE	BRFC012234Z
R251	R:CARBON FIXED CHIP	3.3K 1/10W J TAPE	BRFC013324Z
2301	R:CARBON FIXED CHIP	150 1/10W J TAPE	BRFC011514Z

R303	R:CARBON FIXED CHIP	27K 1/10W J TAPE	BRFC012734Z
R304	R:CARBON FIXED CHIP	6.8K 1/10W J TAPE	BRFC016824Z
R305	R:CARBON FIXED CHIP	4.7K 1/10W J TAPE	BRFC014724Z
R306	R:CARBON FIXED CHIP	150 1/10W J TAPE	BRFC011514Z
R307	R:CARBON FIXED CHIP	6.8K 1/10W J TAPE	BRFC016824Z
R308	R:CARBON FIXED CHIP	10K 1/10W J TAPE	BRFC011034Z
R309	R:CARBON FIXED CHIP	33 1/10W J TAPE	BRFC013304Z
R311	R:CARBON FIXED CHIP	1.5 1/10W J TAPE	BRFC011594Z
R312	R:CARBON FIXED CHIP	100K 1/10W J TAPE	BRFC011044Z
R313	R:CARBON FIXED CHIP	1.2M 1/10W J TAPE	BRFC011254Z
R314	R:CARBON FIXED CHIP	470K 1/10W J TAPE	BRFC014744Z
R315	R:CARBON FIXED CHIP	15.0 1/10W J TAPE	BRFC011514Z
R316	R:CARBON FIXED CHIP	6.8K 1/10W J TAPE	BRFC016824Z
R317	R:CARBON FIXED CHIP	10K 1/10W J TAPE	BRFC011034Z
R318	R:CARBON FIXED CHIP	680 1/10W J TAPE	BRFC016814Z
R319	R:CARBON FIXED CHIP	330 1/10W J TAPE	BRFC013314Z
R320	R:CARBON FIXED CHIP	47K 1/10W J TAPE	BRFC014734Z
R321	R:CARBON FIXED CHIP	5.6K 1/10W J TAPE	BRFC015624Z
R322	R:CARBON FIXED CHIP	680 1/10W J TAPE	BRFC016814Z
R323	R:CARBON FIXED CHIP	680 1/10W J TAPE	BRFC016814Z
R324	R:CARBON FIXED CHIP	680 1/10W J TAPE	BRFC016814Z
R325	R:CARBON FIXED CHIP	680 1/10W J TAPE	BRFC016814Z
R326	R:CARBON FIXED CHIP	680 1/10W J TAPE	BRFC016814Z
R900	R:CARBON FIXED CHIP	0 1/10W J TAPE	BRFC010004Z
R901	R:CARBON FIXED CHIP	0 1/8W J TAPE	BRFC180004Z
R902	R:CARBON FIXED CHIP	0 1/10W J TAPE	BRFC010004Z
R903	R:CARBON FIXED CHIP	0 1/8W J TAPE	BRFC180004Z
R904	R:CARBON FIXED CHIP	0 1/10W J TAPE	BRFC010004Z
R905	R:CARBON FIXED CHIP	0 1/10W J TAPE	BRFC010004Z
R907	R:CARBON FIXED CHIP	0 1/10W J TAPE	BRFC010004Z
R908	R:CARBON FIXED CHIP	0 1/10W J TAPE	BRFC010004Z
R909	R:CARBON FIXED CHIP	0 1/10W J TAPE	BRFC010004Z
R910	R:CARBON FIXED CHIP	0 1/10W J TAPE	BRFC010004Z
R911	R:CARBON FIXED CHIP	0 1/8W J TAPE	BRFC180004Z
R912	R:CARBON FIXED CHIP	0 1/10W J TAPE	BRFC010004Z
R913	R:CARBON FIXED CHIP	0 1/8W J TAPE	BRFC180004Z
R914	R:CARBON FIXED CHIP	0 1/8W J TAPE	BRFC180004Z
R915	R:CARBON FIXED CHIP	0 1/8W J TAPE	BRFC180004Z
R916	R:CARBON FIXED CHIP	0 1/10W J TAPE	BRFC010004Z
R917	R:CARBON FIXED CHIP	0 1/10W J TAPE	BRFC010004Z
R918	R:CARBON FIXED CHIP	0 1/8W J TAPE	BRFC180004Z
R919	R:CARBON FIXED CHIP	0 1/10W J TAPE	BRFC010004Z
R920	R:CARBON FIXED CHIP	0 1/10W J TAPE	BRFC010004Z
R921	R:CARBON FIXED CHIP	0 1/10W J TAPE	BRFC010004Z
R922	R:CARBON FIXED CHIP	0 1/10W J TAPE	BRFC010004Z

UT 355Z FRONT PCB TOP ASS'Y PARTS LIST.

REF No	DESCRIPTION	SPEC	部品コード
B551	PCB:FRONT	PA-374AA 2/3	
D551	DIODE:LED	LL-2041T	BDAY0421001
J552	JACK	JK-649 6S-L113-02A	BJKY0649001
JV551		27.5	
JV552		17.5	
JV553		7.5	
JV554		12.5	
JV555		12.5	
JV556		7.5	
JV557		7.5	
JV558		7.5	
JV559		7.5	
JV561		10	
JV562		10	
JV563		10	
JV564		10	
JV565		20	
S554	SWITCH:SLIDE	SW-557 SSFYP22-14.5B	BSWY0557001
S563	SWITCH:SLIDE	SW-557 SSFYP22-14.5B	BSWY0557001
S564	SWITCH:SLIDE	SW-557 SSFYP22-14.5B	BSWY0557001
VR552	RESISTOR:VARIABLE	RV-650 VB12L PVB20F B50K	BRVY0650001
VR554	RESISTOR:VARIABLE	RV-652 VB12L PVB20F B1K	BRVY0652001

UT355Z FRONT PCB BOTTOM ASS'Y PARTS LIST

REF No	DESCRIPTION	SPEC	部品コード
C551	C:CERAMIC M/L (2125) TAPE	0.0047UF 50V K B	BCXT814725Z
C552	C:CERAMIC M/L (2125) TAPE	0.0047UF 50V K B	BCXT814725Z
C553	C:CERAMIC M/L (2125) TAPE	0.01UF 50V K B	BCXT811035Z
D552	DIODE	1SS184 TE85L	BDAY0256001
D553	DIODE	1SS184 TE85L	BDAY0256001
D554	DIODE	1SS184 TE85L	BDAY0256001
D555	DIODE	1SS184 TE85L	BDAY0256001
R551	R:CARBON FIXED CHIP	680 1/10W J TAPE	BRFC016814Z
R552	R:CARBON FIXED CHIP	680 1/10W J TAPE	BRFC016814Z
R553	R:CARBON FIXED CHIP	680 1/10W J TAPE	BRFC016814Z
R554	R:CARBON FIXED CHIP	680 1/10W J TAPE	BRFC016814Z
R555	R:CARBON FIXED CHIP	680 1/10W J TAPE	BRFC016814Z
R556	R:CARBON FIXED CHIP	680 1/10W J TAPE	BRFC016814Z
R557	R:CARBON FIXED CHIP	680 1/10W J TAPE	BRFC016814Z
R558	R:CARBON FIXED CHIP	680 1/10W J TAPE	BRFC016814Z
R559	R:CARBON FIXED CHIP	680 1/10W J TAPE	BRFC016814Z
R562	R:CARBON FIXED CHIP	0 1/8W J TAPE	BRFC180004Z
R563	R:CARBON FIXED CHIP	0 1/8W J TAPE	BRFC180004Z
R564	R:CARBON FIXED CHIP	0 1/8W J TAPE	BRFC180004Z
R565	R:CARBON FIXED CHIP	0 1/8W J TAPE	BRFC180004Z
R566	R:CARBON FIXED CHIP	680 1/10W J TAPE	BRFC016814Z
R567	R:CARBON FIXED CHIP	2.2K 1/10W J TAPE	BRFC012224Z

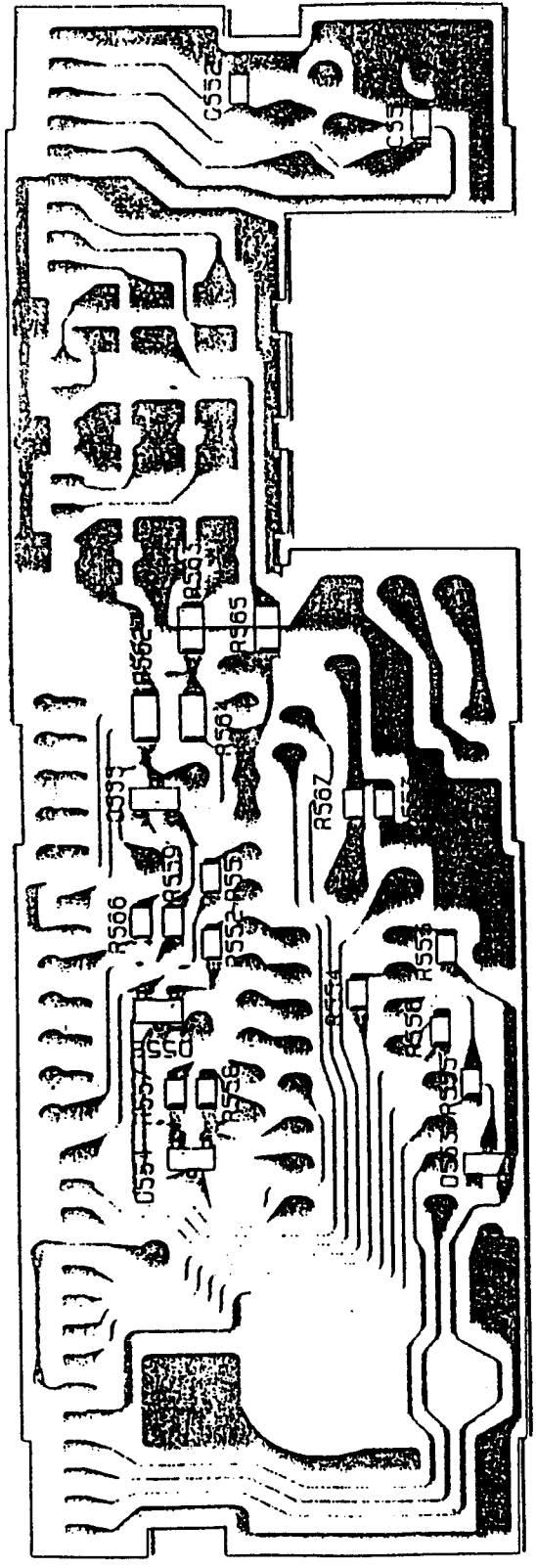
UT 352 VCO PCB PARTS LIST

REF No	DESCRIPTION	SPEC	部品コード
B701	PCB:VCO	PA-324AA	BPAY0324AAZ
C701	C:CERAMIC M/L (2125) TAPE	39PF 50V J CH	BCBH813904Z
C702	C:CERAMIC M/L (2125) TAPE	0.01UF 50V K B	BCXT811035Z
C703	C:CERAMIC M/L (2125) TAPE	0.01UF 50V K B	BCXT811035Z
C704	C:CERAMIC M/L (2125) TAPE	0.01UF 50V K B	BCXT811035Z
C705	C:CERAMIC M/L (2125) TAPE	39PF 50V J CH	BCBH813904Z
C706	C:CERAMIC M/L (2125) TAPE	15PF 50V J CH	BCBH811504Z
C707	C:CERAMIC M/L (2125) TAPE	39PF 50V J UJ	BCXL813904Z
C708	C:CERAMIC M/L (2125) TAPE	100PF 50V J UJ	BCXL811014Z
C709	C:CERAMIC M/L (2125) TAPE	390PF 50V J UJ	BCXL813914Z
C711	C:CERAMIC M/L (2125) TAPE	27PF 50V J CH	BCBH812704Z
C712	C:CERAMIC M/L (2125) TAPE	68PF 50V J CH	BCBH816804Z
C713	C:CERAMIC M/L (2125) TAPE	0.01UF 50V K B	BCXT811035Z
C714	C:CERAMIC M/L (2125) TAPE	0.01UF 50V K B	BCXT811035Z
D701	DIODE	MA-335 (TX)	BDAY0791001
D702	DIODE	MA-335 (TX)	BDAY0791001
L701	COIL	LB-724 L-2M7-D3	BLBY0724001
L702	COIL	LB-723 L-2M7-D3	BLBY0723001
Q701	TRANSISTOR	DB-744 2SC2814-F5 TB	BDBC2814641
Q702	TRANSISTOR	DB-744 2SC2814-F5 TB	BDBC2814641
Q703	TRANSISTOR	DB-744 2SC2814-F5 TB	BDBC2814641
R701	R:CARBON FIXED CHIP	33K 1/10W J TAPE	BRFC013334Z
R702	R:CARBON FIXED CHIP	100 1/10W J TAPE	BRFC011014Z
R703	R:CARBON FIXED CHIP	390 1/10W J TAPE	BRFC013914Z
R704	R:CARBON FIXED CHIP	10K 1/10W J TAPE	BRFC011034Z
R705	R:CARBON FIXED CHIP	39K 1/10W J TAPE	BRFC013934Z
R706	R:CARBON FIXED CHIP	100 1/10W J TAPE	BRFC011014Z
R707	R:CARBON FIXED CHIP	15K 1/10W J TAPE	BRFC011534Z
R708	R:CARBON FIXED CHIP	330 1/10W J TAPE	BRFC013314Z
R709	R:CARBON FIXED CHIP	56K 1/10W J TAPE	BRFC015634Z
R711	R:CARBON FIXED CHIP	1K 1/10W J TAPE	BRFC011024Z

UT 355Z VOLUME PCB PARTS LIST

REF No	DESCRIPTION	SPEC	部品コード
B801	PCB:VOLUME	PA-374AA 3/3	BPAY0374AA3
VR801	R:VARIABLE	RV-842 50KA	BRVY0842001

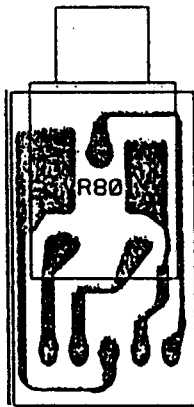
PA-374AA 2/5
(Bottom View)



HARRY FM
UT-355Z FRONT PCB
PARTS ASSY BOTTOM VIEW.

0.3 45 96
97

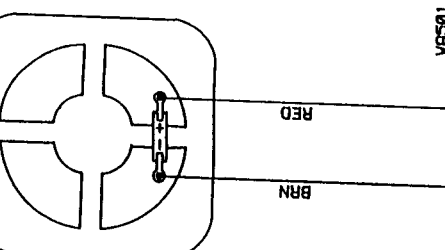
PA-374 AA 3/3
(TOP VIEW)



HARRY FM
UT-355Z VOLUME PCB
PARTS ASS'Y TOP VIEW.

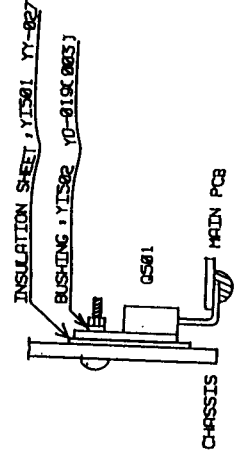
7.3.95 1/85
A. Mats 1/7
Yodhi

SP501 SP-331



(A)

(1)

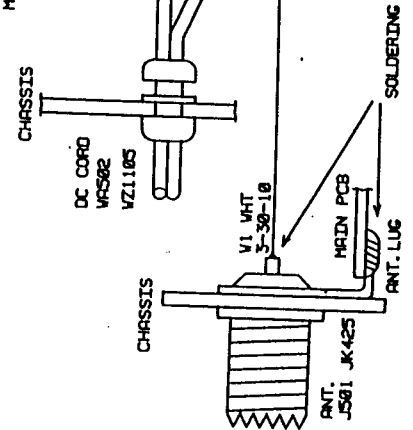


INSULATION SHEET, Y1501 Y1-027
 BUSHING, Y1502 Y0-010C 0003

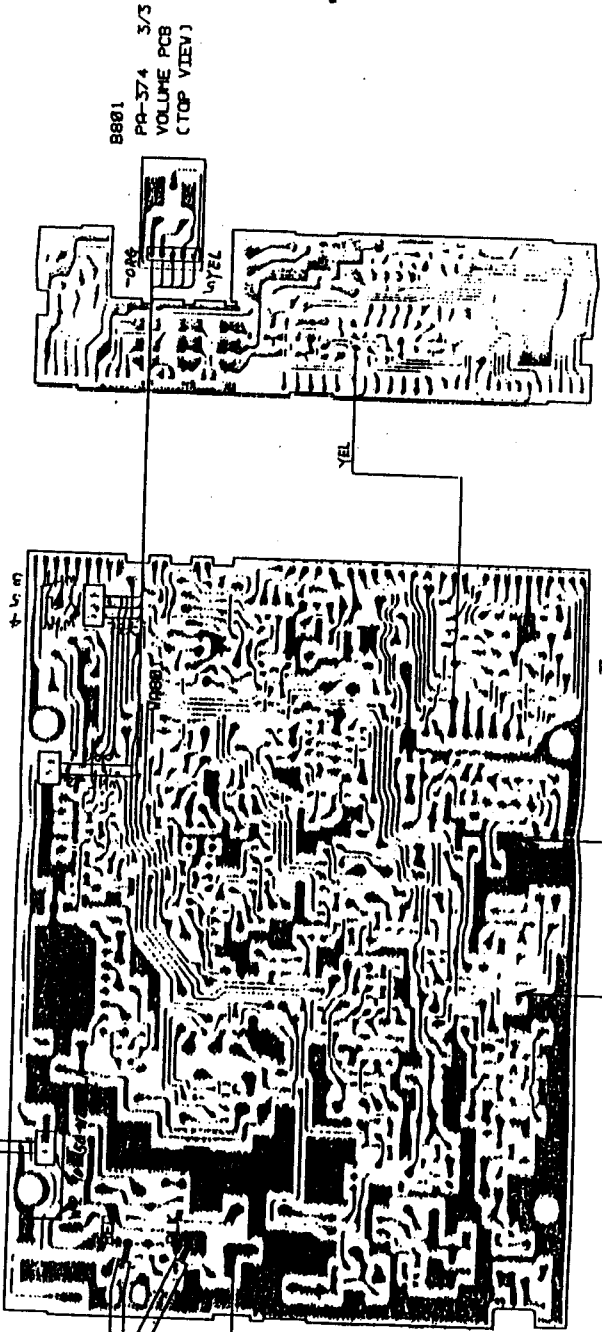
● SOLDERING

V4501 V-071910Z

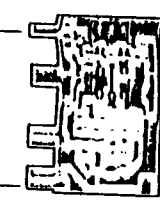
B1 PR-374 1/3
 MAIN PCB (TOP VIEW)



B551
 PR-374 2/3
 FRONT PCB
 (BOTTOM VIEW)



B801
 PR-374 3/3
 VOLUME PCB
 (TOP VIEW)

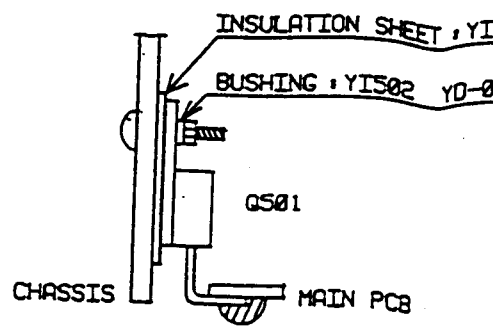
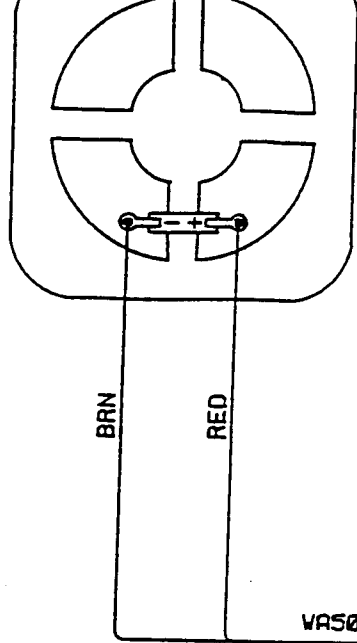


8781 VCO PCB
 PR-324
 (TOP VIEW)

DESIGN BY	UNIDEN NO.	MODEL NO.
7.3.95	UT-353Z	HARRY FM
DRAWN BY	TITLE	
Y. M. L.	VIRING DIAGRAM 1/2	
CHECK BY	APPROVED BY	DRAWING NO.
REV. NO.		UNIDEN CORP.

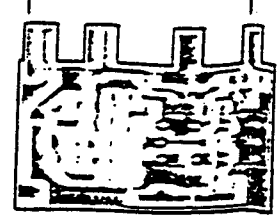
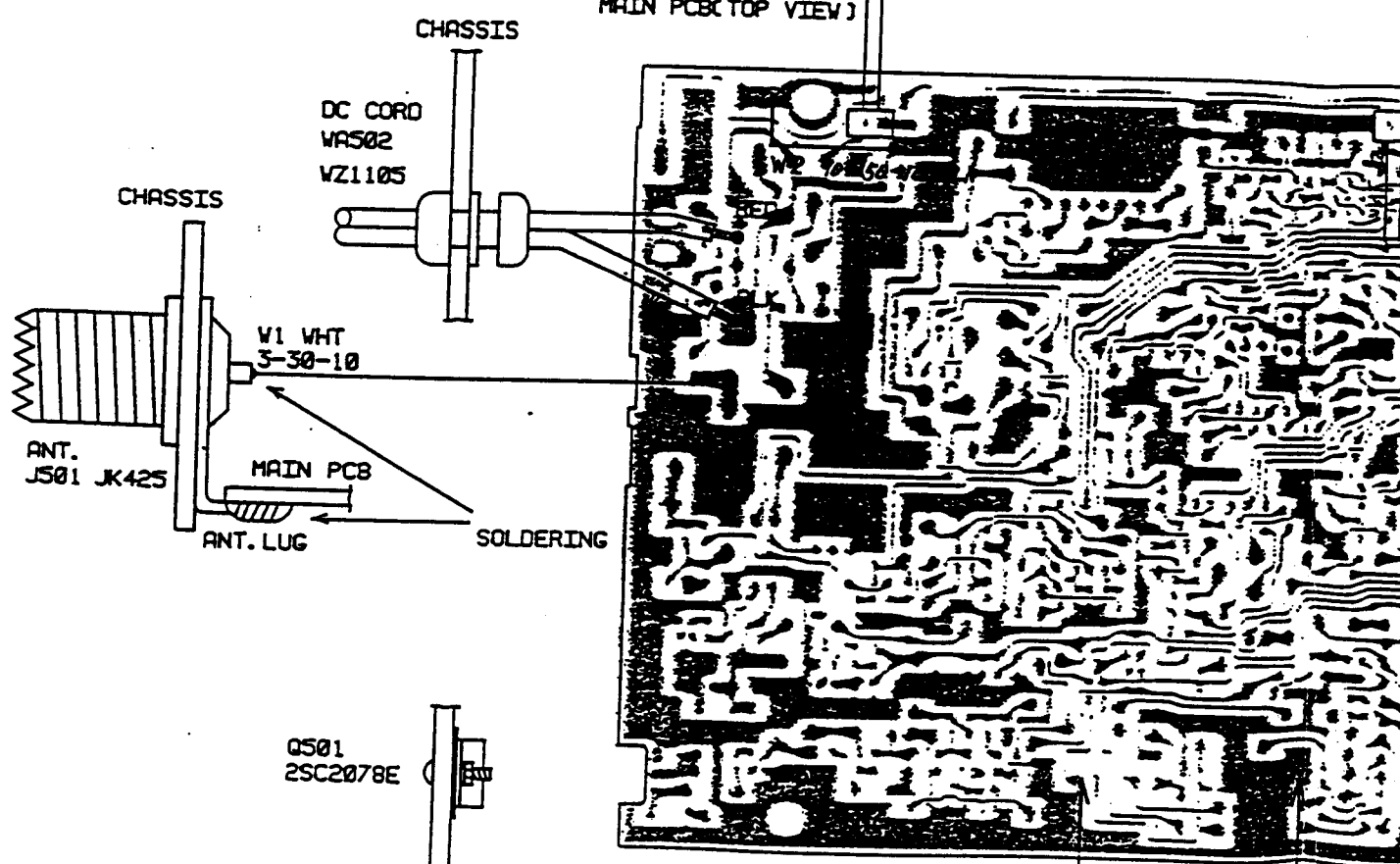
①

Ⓐ



WA501 W-071910Z

B1 PA-374 1/3
MAIN PCB(TOP VIEW)



B701 VCO PCB
PA-324
(TOP VIEW)

NET: YI501 YY-027

YD-019(003)

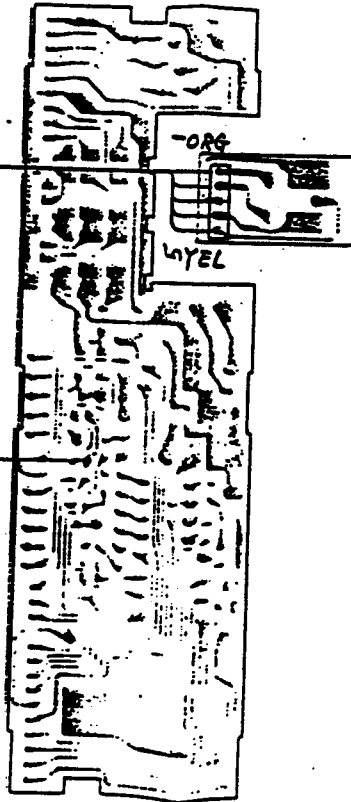
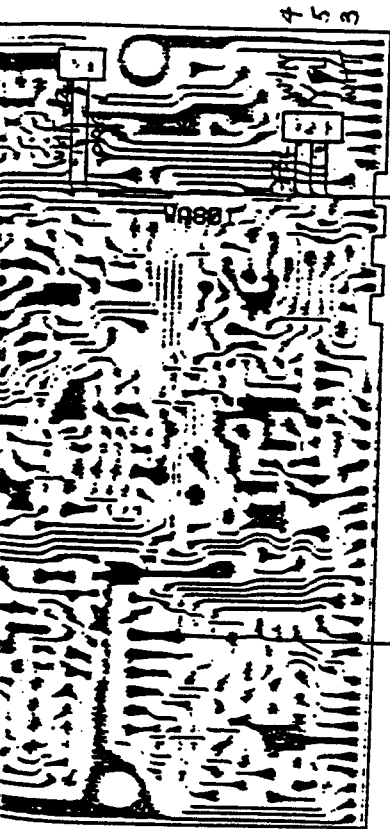
1

B

SOLDERING

8551

PA-374 2/3
FRONT PCB
(BOTTOM VIEW)



8801

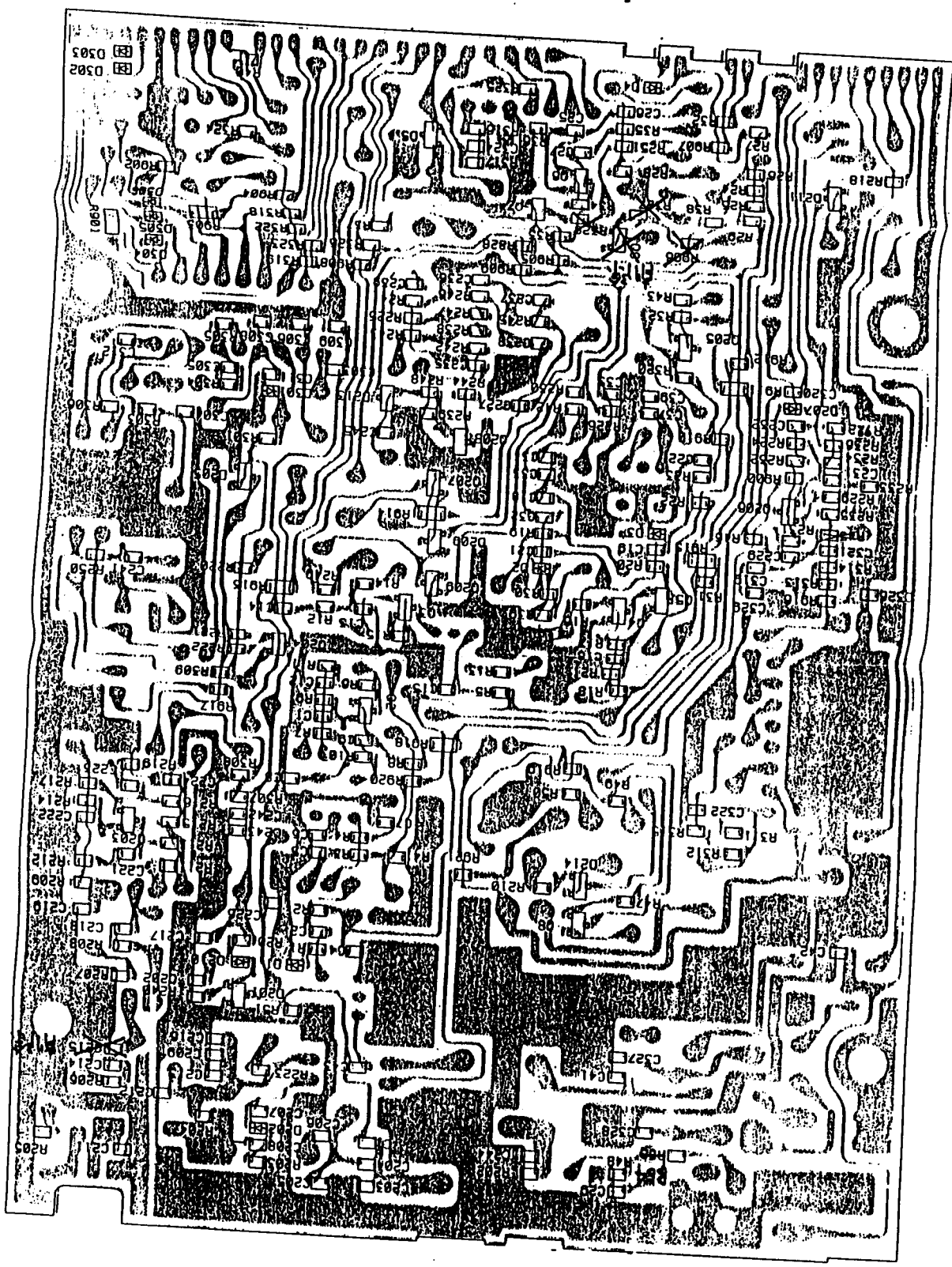
PA-374 3/3
VOLUME PCB
(TOP VIEW)

DESIGN BY	DRAWN BY	UNIDEN NO.	MODEL NO.
7.3.95		UT-355Z	HARRY FM
CHK BY	APPROV BY	TITLE	
		WIRING DIAGRAM 1/2	
		DRAWING NO.	
REV. NO.		UNIDEN CORP.	

HARRY FM
U7-3552 MAIN PCB
PARTS ASS'Y BOTTOM VIEW

of 3/10
John
H. H. H.

(B)



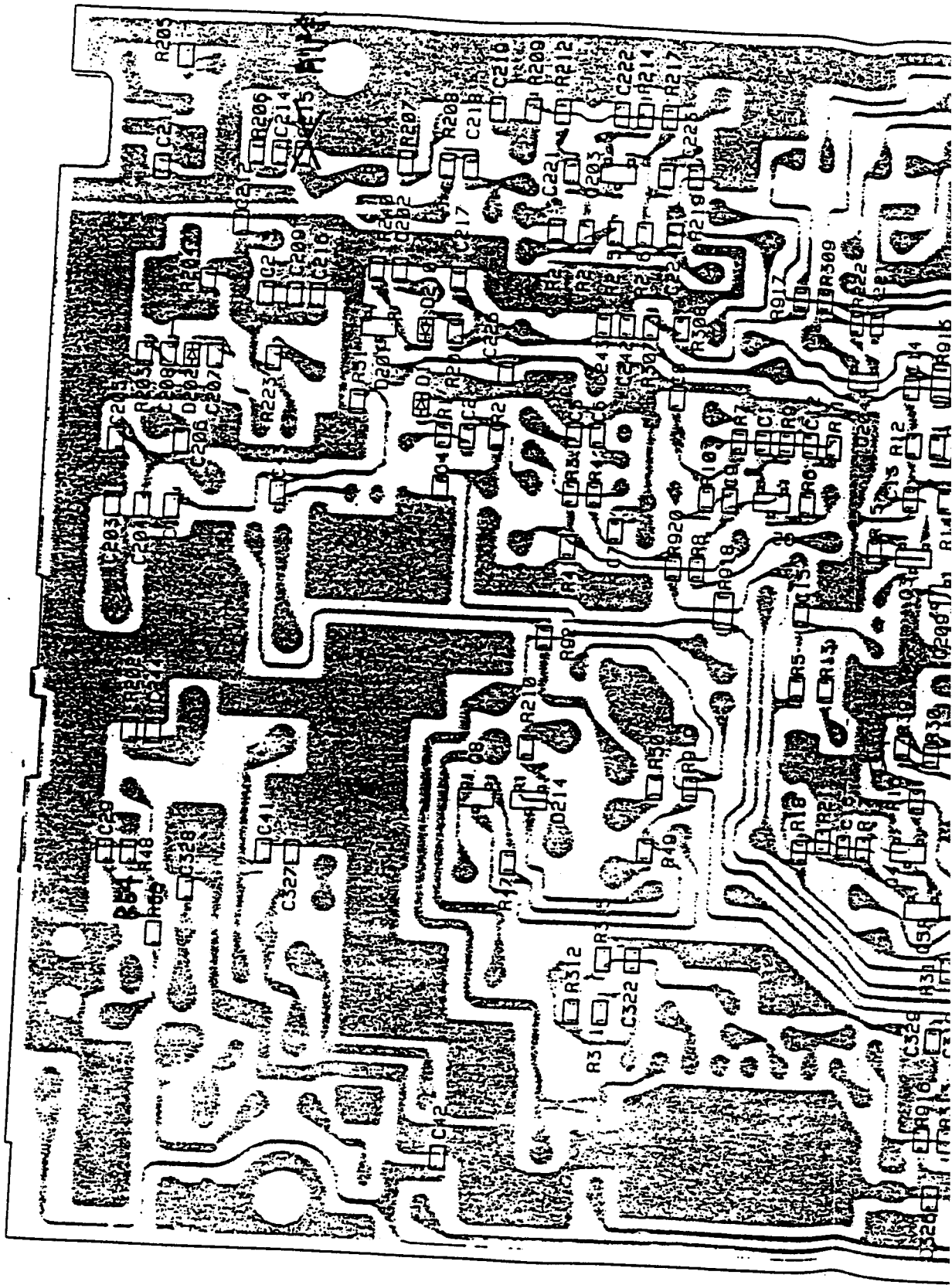
(2)

PA-374A X
(BOTTOM VIEW)

(A)

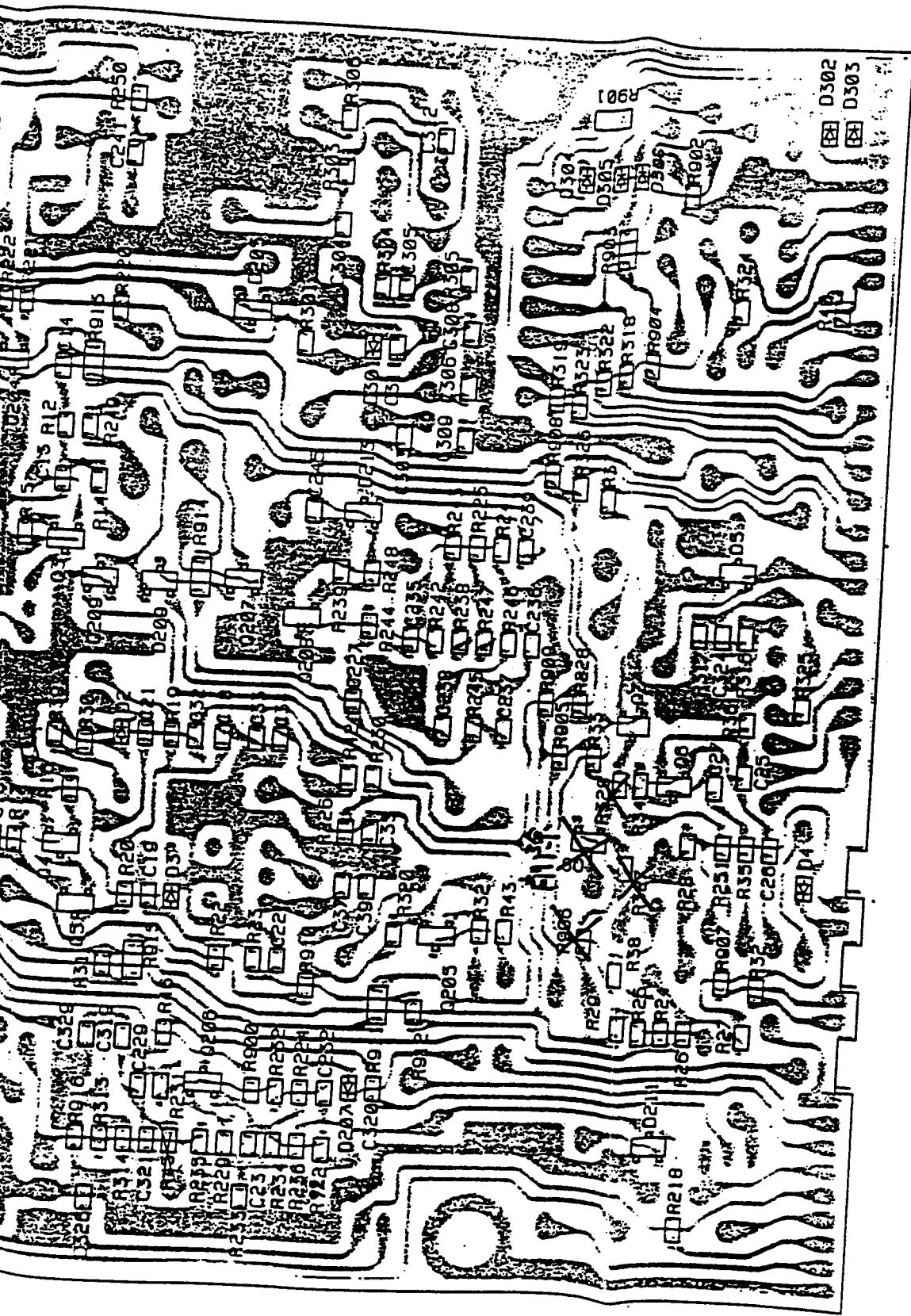
PA-374AA X
(BOTTOM VIEW)

(A)



(2)

(2)



(B)

HARRY FM

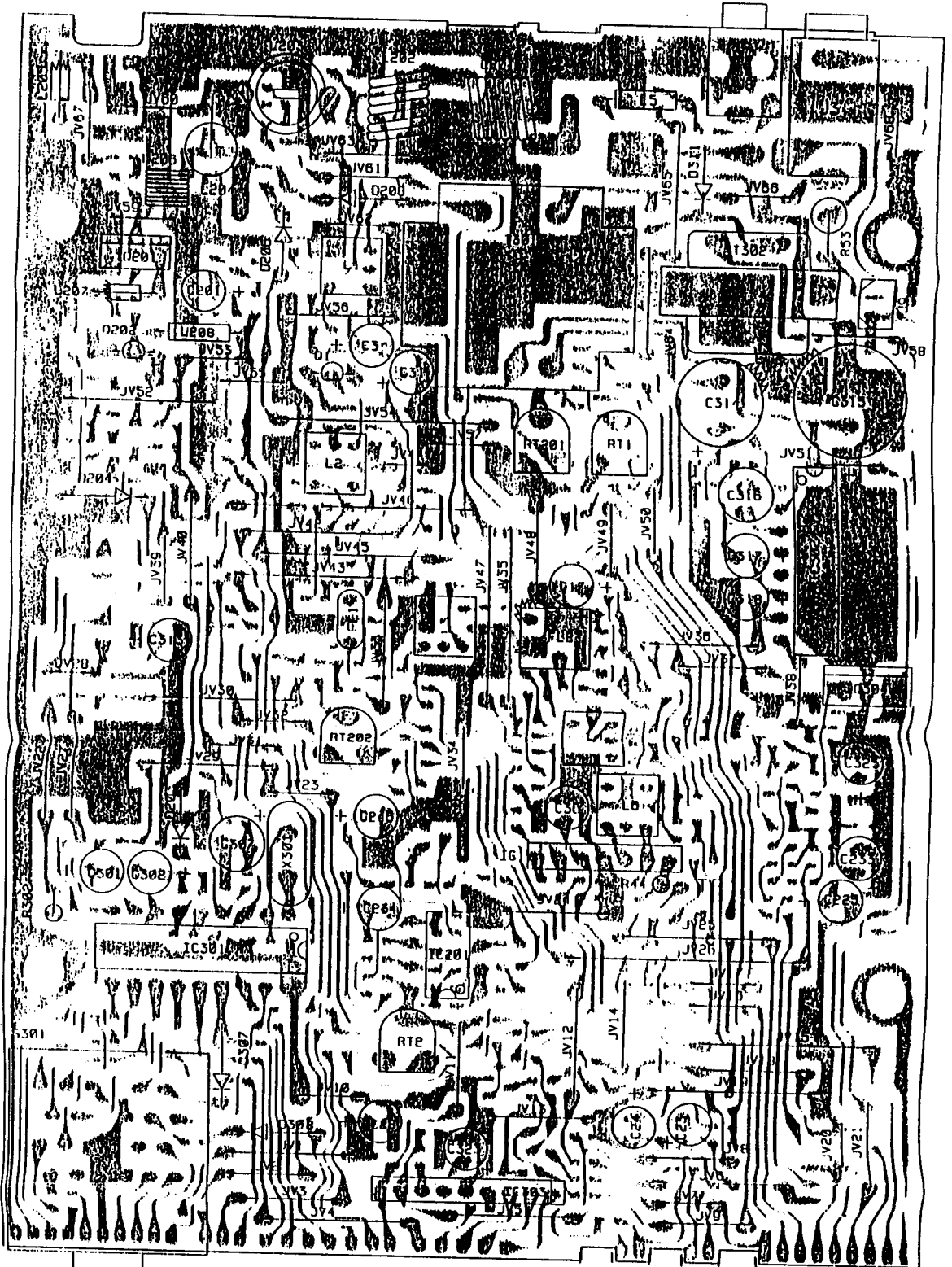
U7-355Z MAIN PCB

PARTS ASS'Y BOTTOM VIEW

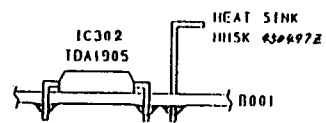
4/5 9/10
 Goshin
 M. Noto

PA-37RAA X3
(TOP VIEW)

(B)



(3)



(A)

MARK : BÖNBLÖCK

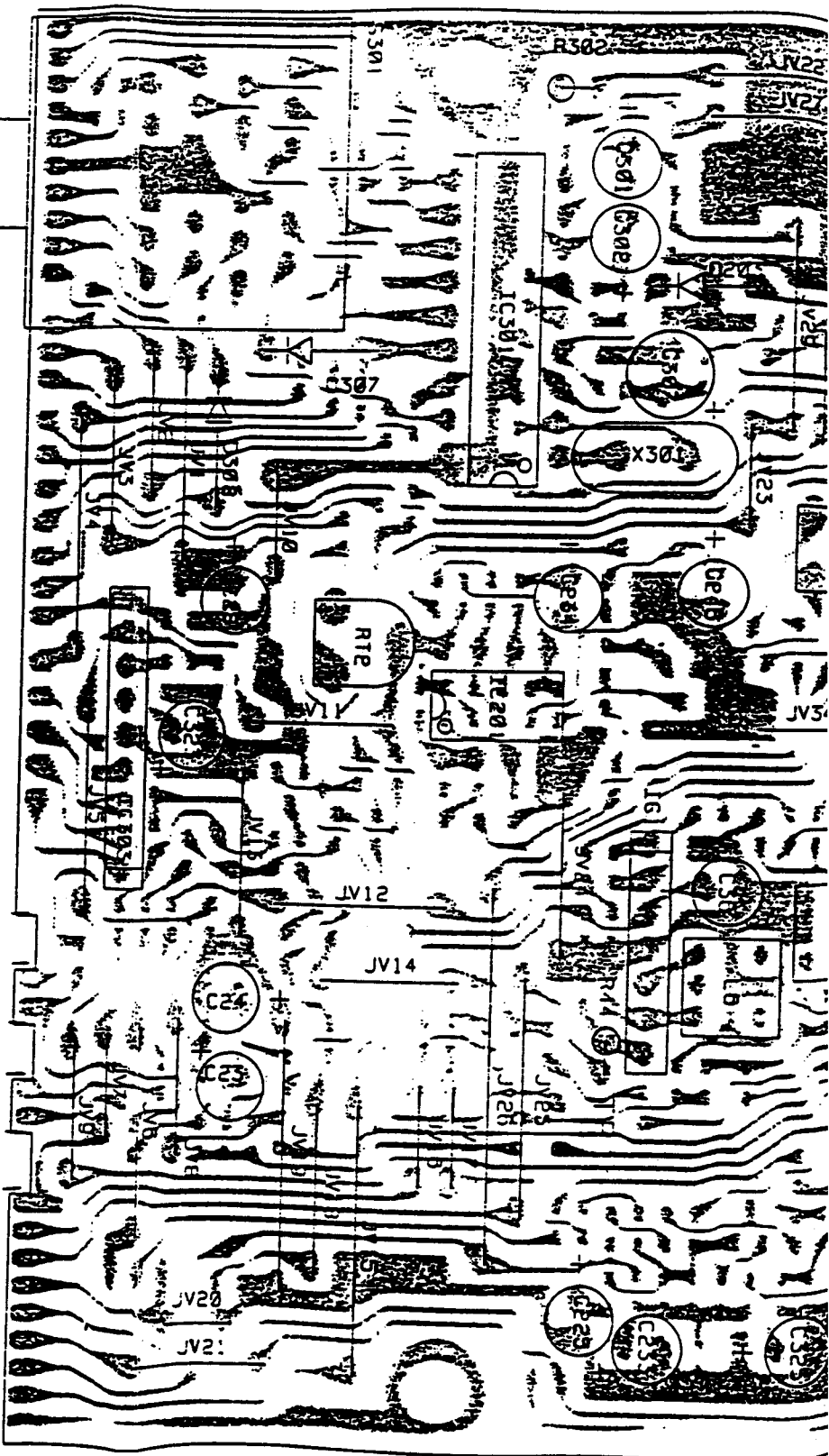
HARRY FM
UT-355Z MAIN PCB

PARTS ASS'Y TOP VIEW

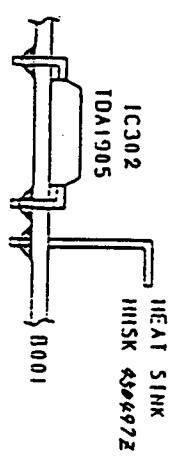
7.3.95
11.1.nat. 16

(M)

(F)



WWW MARK : BÖNBLÖCK

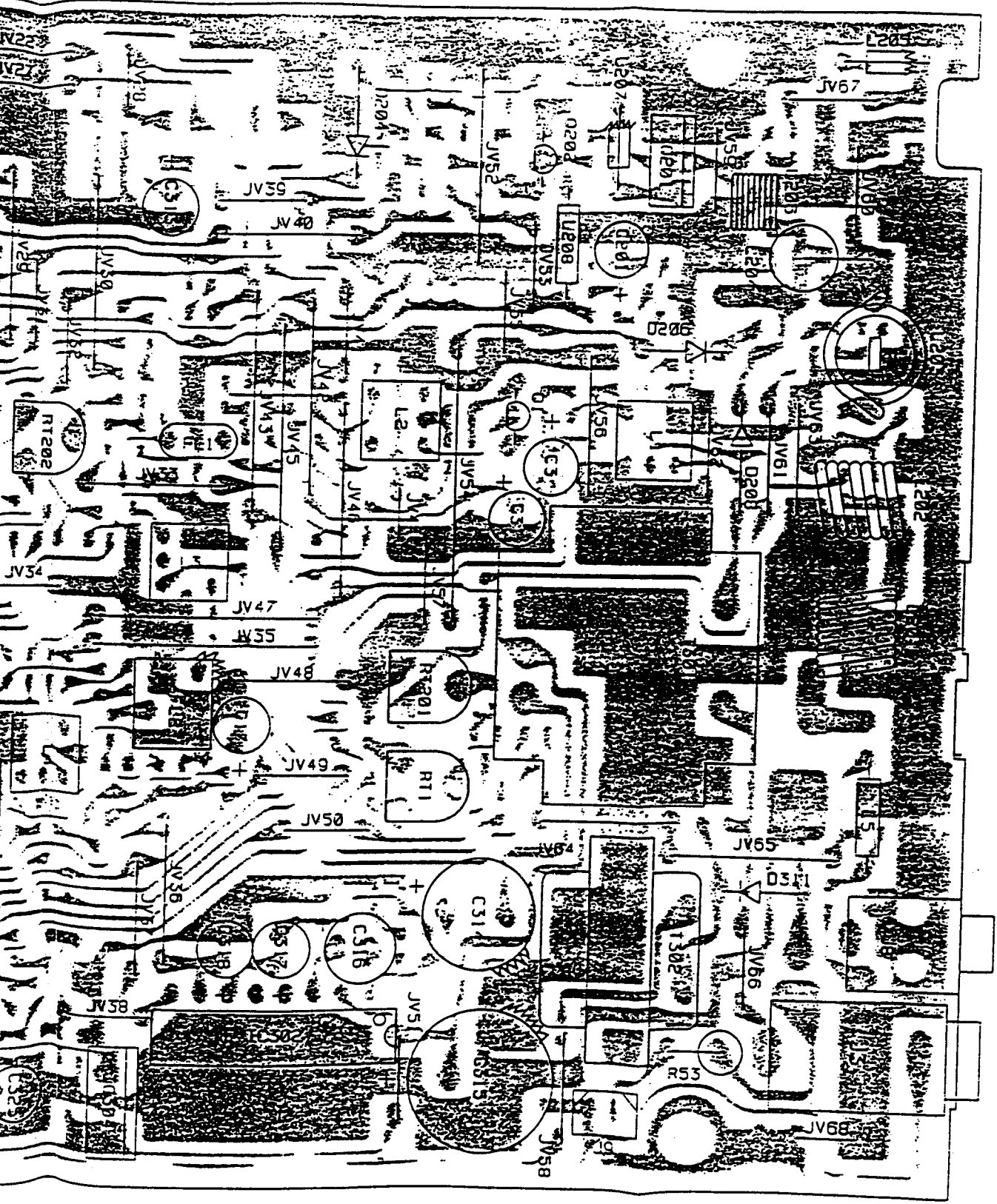


HARRY FM
 117-3552 MAIN PCB
 PARIS ASSY TOP VIEW

7395
 11/11/65

(B)

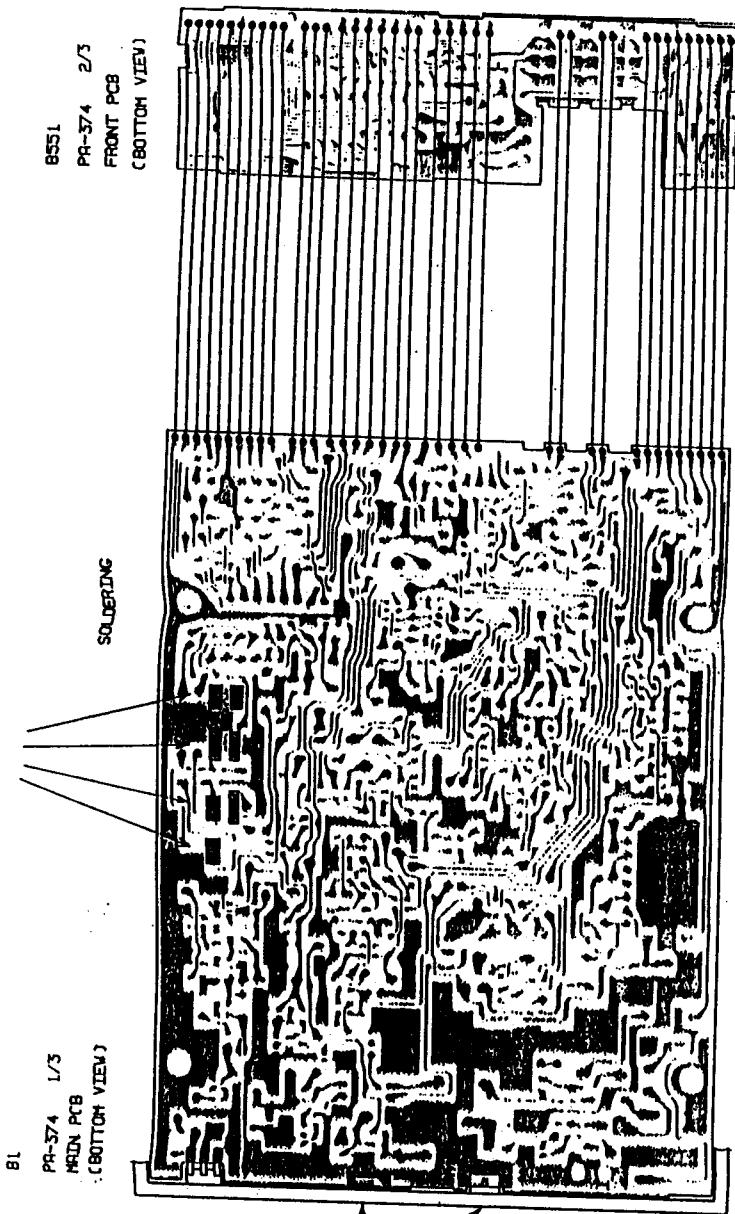
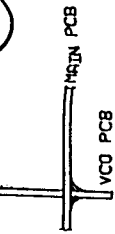
PA-37KAA X3
(TOP VIEW)



(B)

(B)

(4)




(A)

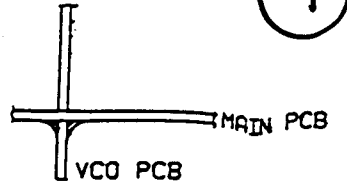
DESIGN BY	UNIDEN NO.	MODEL NO.
7.3.15	UT-555Z	HARRY MI
CHKD BY	TITLE	
Yoshida	WIRING DIAGRAM	
APPRD BY	DRAWING NO.	
REV. NO.		

UNIDEN CORP.

(A)

(4)

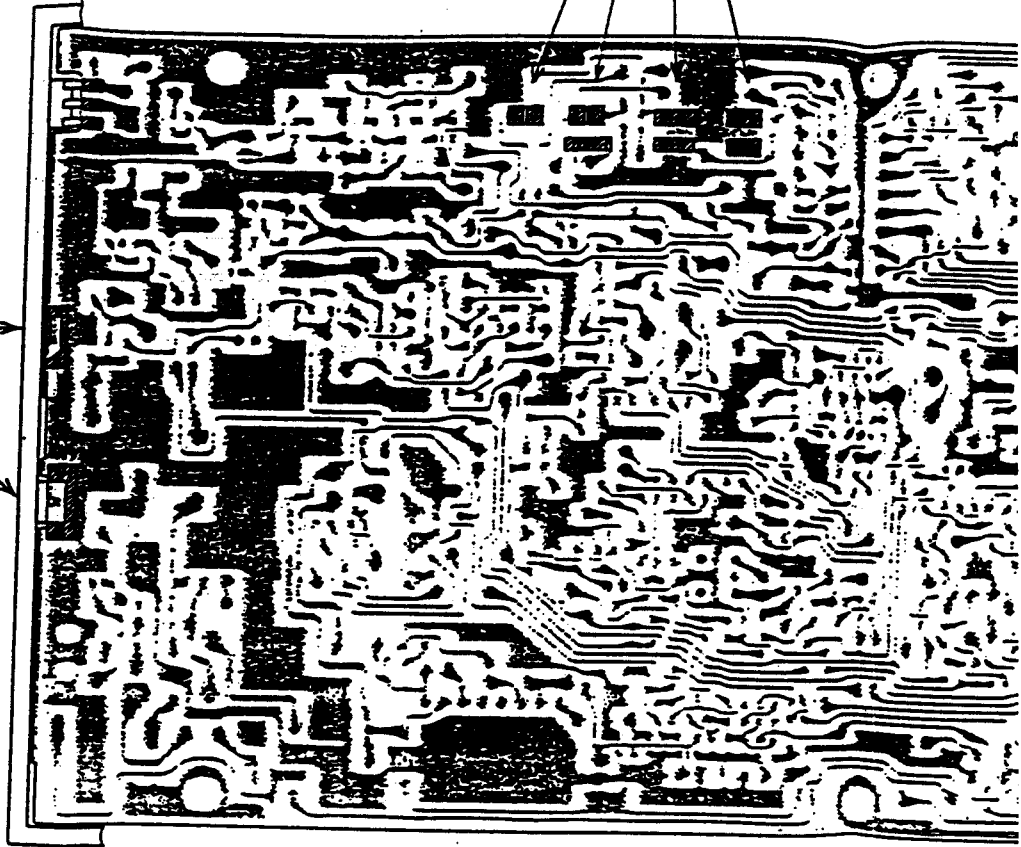
 SOLDERING



81
PA-374 1/3
MAIN PCB
(BOTTOM VIEW)

SOLDERING

SOLDERING



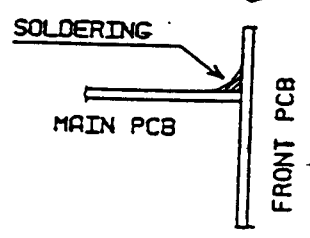
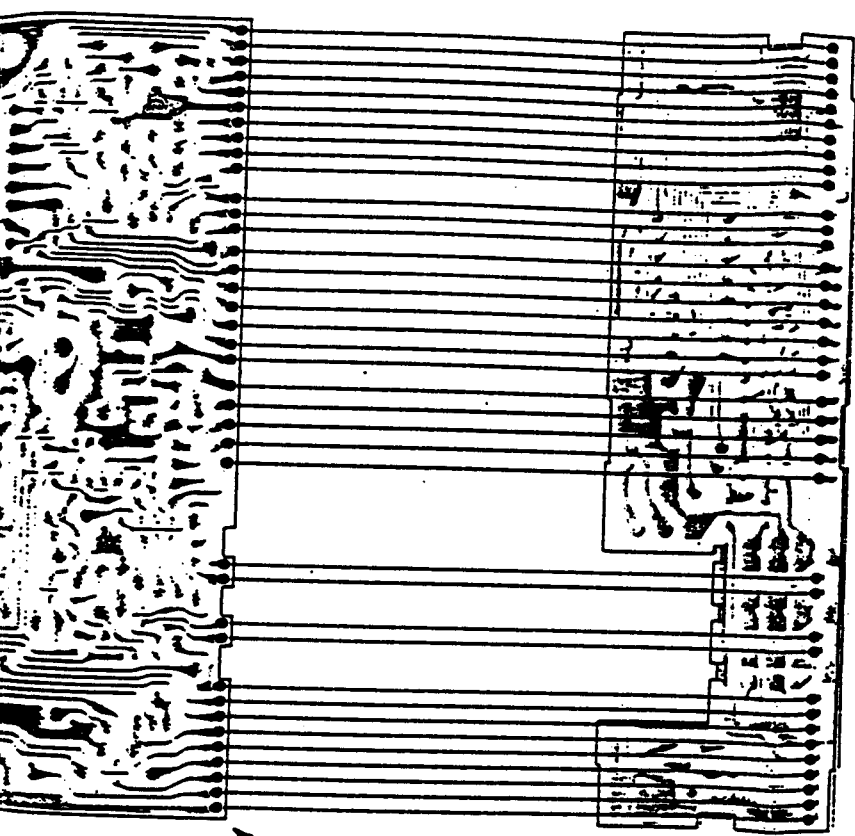
4

B

ON PCB

ERING

B551
PR-374 2/3
FRONT PCB
(BOTTOM VIEW)



DESIGN BY	DRAWN BY	UNIDEN NO.	MODEL NO.
7.3.45		UT-355Z	HARRY FM
HECK BY	APPROV BY	TITLE	
		WIRING DIAGRAM 2	
		DRAWING NO.	
REV. NO.	UNIDEN CORP.		